

### Overview

#### HP StorageWorks Modular Smart Array 1000 for Microsoft®, Linux, NetWare and (limited) HP-UX and SCO environments

The HP StorageWorks Modular Smart Array 1000 (MSA1000) is a 2 Gb Fibre Channel storage system designed for the entry-level to mid-range Storage Area Network (SAN). Designed to reduce the complexity, expense and risk of SAN deployment, the MSA1000 is a scaleable, high performance storage system built with investment protection in mind. The modular design of the MSA1000 allows the user to easily add storage capacity as needed. With the addition of two HP StorageWorks MSA30 disk enclosures with space for a total of forty-two enterprise-class drives, maximum storage capacity is 12TB. All necessary configuration & management programs are included and there are no unexpected charges for extra licenses as your capacity needs grow or as you attach more servers.

The MSA1000 is a member of the HP StorageWorks Modular Smart Array family, delivering industry-leading technology to meet today's demanding and growing storage needs. These storage solutions offer the best price performance features for direct attach environments, small clusters, and entry-level and mid-range SAN environments. Each solution is designed to maximize transfer rates and reduce management costs, while driving rapid return on investment.

Heterogeneous support is standard for Microsoft Windows® Server 2003 (32-bit and 64-bit) Windows 2000, Windows NT®, NetWare and Linux (32-bit and 64-bit) operating systems. In addition this firmware provides separate support for Alpha servers in a Tru64 UNIX® or OpenVMS environment. Information about the support for these two operating systems is included in a separate QuickSpec for the MSA1000 attached to Alpha-based servers. HP also expanded the MSA1000's operating system coverage with the addition of basic HP-UX and SCO support in limited, homogeneous configurations.

### Key Features

The MSA1000 offers the following key features:

- High performance controller(s) built on DAS to SAN {D+S} architecture for maximum investment protection
- 4U rackmount design combining both the controller and disk shelf
- 2 Gb Fibre Channel host connections
- Optional embedded 8-port 2 Gb Fibre Channel Fabric Switch or 3-port 2 Gb Fibre Channel hub
- Support for enterprise class HP Ultra2, Ultra3, and Ultra320 Universal 1" SCSI Drives
- Scaleable from 1 to 42 drives via HP StorageWorks drive enclosures for up to 12TB of storage
- Compatible with ISV backup and restore software from Hewlett Packard, VERITAS and others
- Support for HP-UX, the industry's No. 1 rated UNIX® operating system, in a homogeneous environment

### What's New

- New HP StorageWorks MSA1000 SAN Starter High Availability Kit, a companion piece to the MSA SAN Starter Kit, providing the necessary hardware pieces to insure redundancy. It replaces the two older HA Kits that included StorageWorks Secure Path software. The new kit allows the customer to pick their own path-failover solution which can be MPIO for Windows, QLogic Failover for Linux, or HP Secure Path. This option kit gives you a second array controller, a second switch, two more of the FCA2214 HBAs and cabling. It's an easy and cost efficient option that brings the user the redundancy protection many users desire.

### Overview

#### Recent Enhancements

- The MSA1000 SAN Starter Kit provides an easy and inexpensive way to build a Storage Area Network. It includes the MSA1000 itself along with the unique MSA SAN Switch 2/8 embedded option, two of the FCA2214 Host Bus Adapters for Windows, NetWare or Linux servers, SFPs and cabling. As always, the MSA1000 comes complete with configuration and management tools in addition to HP's Selective Storage Presentation software, all at no extra charge.
- An aggressively priced HP StorageWorks MSA1000 Small Business SAN Kit (SMB only) which includes a low cost switch and HBAs designed exclusively for opportunities not requiring large connectivity. Refer to the HP StorageWorks Modular Smart Array 1000 Specific for Small Business SAN Kit QuickSpecs for details.

### MSA1000 Highlights

#### High Levels of Performance, Scalability, and Functionality

- **Performance** – The MSA1000 and its components have been designed using the latest industry standard 2 Gb interconnects and Fibre Channel technology. Performance tests indicate a data transmission rate of up to 30,000 IOPS and bandwidth of up to 200 MB per second. (Single MSA1000 Controller)
- **Modular Chassis** – The modular design of the MSA1000 cabinet supports up to fourteen 1" Universal hard drives, redundant controllers, 2 Gb embedded fabric switches or hubs, fans and power supplies in a 4U rackmount cabinet.
- **Scalability** – The MSA1000 is easily expanded. The MSA1000 cabinet scales to 4 TB using fourteen 300 GB, 1" HP Universal hard drives. By simply adding additional StorageWorks disk Enclosures (two enclosures max), the MSA1000 scales to 12 TB using forty-two 300 GB 1" HP Universal hard drives - all within 10U of rack space.
- **MSA SAN Switch 2/8** – The optional MSA SAN Switch 2/8, which can be installed within the MSA1000 cabinet, offers 2 Gb full fabric performance at an attractive price. A second MSA SAN Switch 2/8 can be installed for redundancy. There are seven pluggable ports available (four SFPs are included). The eighth port is directed internally to the controller.
- **MSA Hub 2/3** – The optional MSA Hub 2/3, which can be installed within the MSA 1000, offers 2 Gb performance. With two ports accessible by the user, the MSA Hub 2/3 is the ideal interconnect for low-cost 2-node clustering or simply attaching two servers. A second MSA Hub 2/3 can be installed for redundancy. This hub ships with two SFPs included. Not available for use in Alpha environments.
- **Hot Plug Expansion and Replacement Support** – The MSA1000 supports hot plug expansion and replacement of hard drives, redundant controllers, fabric switches or hubs for simple, fast installation and maintenance. Fans and power supplies are also hot plug replaceable.
- **RAID 6 with HP's Advanced Data Guarding technology (RAID ADG)** – This is the highest level of fault tolerance. It allocates two sets of parity data across drives and allows simultaneous write operations. This level of fault tolerance can withstand two simultaneous drive failures without downtime or data loss.

#### DtS Architecture (Direct Attach to SAN) Data Migration

DtS (Direct Attach to SAN) architecture is an exclusive MSA1000 feature that provides a quick and easy way to migrate stored data, disks and enclosures protected by most Smart Array controllers to a MSA1000 storage system.

Data that is currently stored on 1" Universal disk drives using recent HP Smart Array controllers, as well as data on a RA4100 or an MSA500 can easily be migrated to the MSA1000. Simply remove the drives from the older systems and insert them into the MSA1000. All configuration information and data will be preserved allowing migration to be completed in minutes, not hours or days. Refer to the MSA1000 DtS Data Migration White Paper for a list of compatible Smart Array controllers and further details.

#### Broad Server, Operating System and FC Interconnect support

The modular and scalable design of the MSA1000 provides an extremely flexible platform. You can buy what you need today and purchase additional capacity and performance as your data storage needs grow, instead of making a large up-front investment. Additional drives, controllers, cache, fabric switches and storage enclosures can easily be added, as your storage needs change.

- **Fabric Support for 1 Gb and 2 Gb Infrastructure** – The MSA1000 supports both 1 Gb and 2 Gb Fibre Channel fabrics to ensure that your investment in 1 Gb infrastructure is protected.
- **Optional embedded interconnects** – Both the MSA SAN Switch 2/8 and the MSA Hub 2/3 require no rack space as they are installed in the MSA1000's chassis. This not only saves valuable rack space (up to 2U saved) but also eliminates some of the cabling needed with external interconnects. The MSA SAN Switch 2/8 ships with 4 SFPs installed and the MSA Hub 2/3 ships with 2 SFPs.
- **Universal Hard Drive** – Since the MSA1000 supports HP Universal 1" Ultra2, Ultra3 and Ultra320 drives, your investment in SCSI technology is protected and cost is minimized as you add new drives. Sharing of a common universal drive form factor between your servers and storage can significantly reduce needs for hardware and spare inventory, and offer overall reduction in storage

### MSA1000 Highlights

management and business costs.

- **Pre-Failure Warranty** – Drives installed in an MSA1000 and monitored under Insight Manager are supported by a Pre-Failure (replacement) Warranty.  
**NOTE:** Pre-Failure Warranty allows for the replacement of designated drives in an MSA1000 before they actually fail when using Insight Manager on ProLiant servers.  
**NOTE:** Some operating systems may not support all of these features.
- **Multi-platform Intel® and AMD® Opteron based Server Support** – The MSA1000 offers Multi-platform Intel-based (x86) and AMD server support to allow a broad range of servers to take advantage of the MSA1000's scalability, flexibility and connectivity, and supports ACU and Insight Manager. When used with a ProLiant server, the MSA1000 also provides unparalleled integration with the MSA1000 Support CD and Pre-Failure Warranty support.
- **Alpha server support** – The MSA1000 also supports Alpha-based servers operating in a Tru64 UNIX or OpenVMS environment. Refer to the HP StorageWorks Modular Smart Array 1000 Specific for Tru64 UNIX or OpenVMS Only QuickSpecs for details.
- **HP-UX PA-Risc and Itanium-based server support** – In April of 2004 HP announced basic MSA1000 HP-UX support in limited, homogeneous configurations. Coverage extends to HP-UX 11.11, and 11.23 and a wide-ranging list of Integrity and HP9000 servers.
- **SCO UnixWare support** - SCO OpenServer 6.0.0, SCO UnixWare 7.1.3 with Maintenance Pack 3 and 7.1.4 are supported in limited, single controller 2-node homogeneous configurations. The ProLiant servers supported with MSA1000 for SCO UnixWare & OpenServer are ML350 G4, ML570 G2, DL380 G4ML 370G3, ML 530G2, ML 570G2, DL 380G3, DL 760G2. Future versions of the listed hardware will be supported. Connections are made with the single or dual channel StorageWorks FCA2214 HBA (driver: qlc2300 v8.0.2 FW: 1.33) and supports the FC I/O module, the MSA SAN Switch 2/8 or the MSA Hub 2/3.
- **Integrated Configuration and Management Tools** – The MSA1000 utilizes a standard, integrated set of management and utility software. These tools consistently lower the cost of ownership by reducing training and technical expertise necessary to install and maintain the MSA1000.

The MSA1000 comes with/supports the following configuration and management tools depending on what operating system:

#### Configuration

(solution chosen as appropriate for operating system)

#### Management/Health

(solution chosen as appropriate for operating system)

#### ACU/ADU Bootable Utility

(solution chosen as appropriate for operating system)

- **Array Configuration Utility (ACU)**. ACU is a browser-based disk configuration utility that lets you view, set up, and configure the array controllers and storage systems.
- **Command Line Interface (CLI)**
- **Insight Manager (IM)**
- **EMS** Used in conjunction with HP-UX servers
- **Array Diagnostics Utility (ADU)** This utility collects information about the array controllers in the system and generates a list of potential problems it has identified. It produces a report that can be saved to a diskette and analyzed by support technicians to aid in problem resolution.
- The **MSA1000 Support Software CD** is a bootable media that enables a server to boot into a Linux shell and launch the ACU allowing the user to configure the MSA1000 storage or generate a diagnostic report without requiring a pre-installed operating system or drivers.

### MSA1000 Highlights

#### Compatibility

#### Servers

Supports most 32-bit ProLiant servers including BL20P G2, BL20P G3, BL25P, BL30P, BL35P, BL40P, DL145, DL360, DL360 G2, DL360 G3, DL360 G4, DL380, DL380 G2, DL380 G3, DL380 G4, DL385, DL560, DL580, DL580 G2, DL580 G3, DL585, DL740, DL760, DL760 G2, ML330, ML330 G2, ML330 G3, ML350, ML350 G2, ML350 G3, ML350 G4, ML370, ML370 G2, ML370 G3, ML370 G4, ML530, ML530 G2, ML570, ML570 G2, ML750.

(See HBA and Switch FC components for various support limitations)

Certification of new ProLiant models is ongoing.

Supports most multi-vendor industry standard 32-bit Intel-based (x86) servers.

Supports most 64-bit Integrity including Integrity Superdome rx1600, rx1620, rx2600, rx2620, rx4610, rx4640, rx5670, rx7620, rx8620, rx8800, rx9610 and PA-RISC servers A180, A180C, A400, A500, rp2400, rp2430, rp2450, rp2470, rp5400, rp5430, rp5450, rp5470, rp3410, rp3440\_1, rp4440\_1, rp7400, rp7410, rp7420\_1, rp8400, rp8420\_1, SD16000, SD-32/64/128, SD32000, SD64000. Certification is ongoing with new models as they are introduced.

Also supports specific Alpha servers running Tru64 UNIX or OpenVMS.

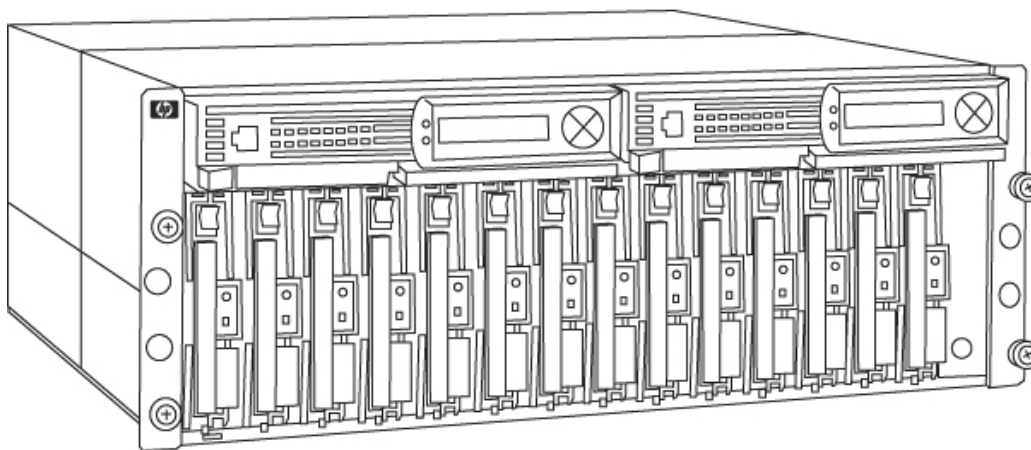
SCO supported is extended to ML350 G4, ML570 G2, DL380 G4, ML370 G3, ML530 G2, ML570 G2, DL380 G3 & DL760 G2.

### Models

HP StorageWorks 1000 Modular Smart Array	MSA1000, with 256 MB cache	201723-B22
	MSA1000 Controller, with 256 MB cache	218231-B22
	256 MB Cache Module upgrade for Controller	254786-B21
	MSA Fibre Channel I/O Module	218960-B21
	MSA Hub 2/3 (integrated) ships with 2 SFPs installed	286763-B21
	MSA SAN Switch 2/8 (integrated) ships with 4 SFPs installed	288247-B21
	2 Gb SFP SW Transceiver Kit	A6515A
MSA1000 additional drive enclosures	Modular Smart Array 30 (MSA30) drive enclosure, single bus	302969-B21
	Modular Smart Array 30 (MSA30) drive enclosure, dual bus	302970-B21
MSA1000 SAN Starter Kit	HP StorageWorks MSA1000 SAN Starter Kit (Windows, NetWare or Linux compatible) <b>NOTE:</b> Includes (1) MSA1000 (1) MSA SAN Switch 2/8 (2) FCA2214 + cables.	353803-B22
MSA1000 SAN Starter Kit High Availability Option	HP StorageWorks MSA1000 SAN Starter Kit HA Bundle <b>NOTE:</b> Includes (1) redundant controller; (1) HP MSA SAN Switch 2/8 (4) SFP transceivers (2) FCA2214 HBAs + cables. Designed as upgrades for the MSA1000 SAN Starter Kits. Software is required to enable path failover. This can be Industry Standard (MPIO for Windows, QLogic for Linux) or optional Secure Path (available for most Windows, Linux and NetWare versions)	397079-B21
2 Gb Fibre Channel HBAs	FCA2214 Host Adapter (Linux, NetWare, SCO & 32-bit Windows)	281541-B21
	FCA2214DC dual channel Host Adapter (Linux, NetWare, SCO & 32-bit Windows)	321835-B21
	Windows 32-bit single channel PCI-X (Windows Server 2003, W2K)	A7388A
	Windows 32-bit dual channel PCI-X (Windows Server 2003, W2K)	A7387A
	FCA2404 Host Adapter PCI-X (32-bit Windows including NT)	305573-B21
	FCA2404DC dual channel Host Adapter PCI-X (32-bit Windows including NT)	323264-B21
	2Gb PCI-e for 32-bit Windows	A7560A
	Host Adapter for Windows Server 2003 64-bit, Integrity servers, single channel 2 Gb PCI-X	AB467A
	Host Adapter for Windows Server 2003 64-bit, Integrity servers, dual channel 2 Gb PCI-X	AB466A
	Host adapter Q2300 64-bit PCI-X for Linux, Integrity servers	A7538A
	Host adapter PCI-X Dual channel for HP-UX and Linux, Integrity servers	A6826A
	HP-UX HBA: PCI 2GB Fibre Channel Adapter	A6795A
	HP-UX HBA: PCI-X 2Gb Fibre Channel/1000Base-T	A9784A
HP-UX HBA: PCI-X 2Gb Fibre Channel/1000Base-SX	A9782A	
Secure Path Workgroup Editions	HP StorageWorks Secure Path v4.0C for Windows Workgroup Edition	213076-B26
	HP StorageWorks Secure Path v3.0C for NetWare Workgroup Edition	222411-B22
	Secure Path v3.0C for Linux Workgroup Edition	T3581A
	ProLiant Cluster Starter Kit for the Entry Level SAN for Windows 2000 and Windows 2003 (dual server, single path)	364023-B21
	ProLiant Cluster HA/F200 for Entry Level SAN, Windows 2000 and Windows 2003 (dual server, redundant path)	364026-B21

### Models

<b>MSA1000 Small Business SAN Kit</b> (Windows and Linux 32-bit servers only)	HP StorageWorks MSA1000 Small Business SAN Kit <b>NOTE:</b> Includes (1) MSA1000; (1) 2/8q FC Switch; (2) FC HBA's (PN A7523A) + cables. The MSA1000 SMB Kit is not designed to connect to any other StorageWorks SAN or interconnect. See the MSA1000 SMB link at <a href="http://www.hp.com/go/msa1000">http://www.hp.com/go/msa1000</a> for additional details	A7450A
	HP StorageWorks MSA1000 Small Business HA Upgrade Kit for Windows and Linux <b>NOTE:</b> Includes (1) redundant controller; (1) Fibre Channel I/O Module (1) 2/8q FC Switch; (2) FC HBA's (PN A7523A); and cables. <b>It may only be used with the MSA1000 SMB Kit (A7450A)</b>	A7452A
	2 Gb, 32-Bit/133 MHz PCI-X-to-Fibre Channel Host Bus Adapters <b>NOTE:</b> This is a single channel HBA for Windows 2000, Windows 2003, and Linux. <b>It may only be used with the MSA1000 SMB Kit (A7450A)</b>	A7523A



### MSA1000 Components

With the following components, your storage capacity and performance can be scaled to new levels:

**HP StorageWorks Modular Smart Array 1000** The 4U cabinet houses up to fourteen 1" Universal hot pluggable Ultra2, Ultra3, and/or Ultra320 drives. Each MSA1000 includes the following standard components: (1) MSA1000 Controller, (1) MSA Fibre Channel I/O Module with a single SFP, dual hot pluggable fans/power supplies and power cables, documentation and a support software CD. The modular design of the MSA1000 makes it possible to add redundant controllers, redundant single port Fibre Channel I/O Modules, 3-port hub, or embedded fabric switch and storage expansion enclosures. Additional storage enclosures may be added without power cycling the MSA1000.

#### MSA1000 Controller

The MSA1000 Controller is an integrated RAID controller with an LCD/LED status display and 256 MB read/write battery-backed cache (expandable to 512 MB per controller). One MSA1000 Controller is included with the MSA1000; a redundant MSA1000 Controller is an option. Purchase of Secure Path software or use of Microsoft's MPIO or the QLogic Failover Solution for Linux is a requirement if a second controller is chosen.

##### Key Features

- Redundant controller support with mirrored cache
- Fabric, Private Loop & Public Loop Support
- Auto Negotiated F, FL & L Port Login
- RAID 0, 1, 1+0, 5 and ADG
- 2 Gb/1 Gb Frequency Agile
- Primary & Secondary Inter-Controller Link (ICL)
- Host based configuration via ACU (OS dependent)
- Optionally configurable with Command Line Interface (CLI)
- Remote configuration and monitoring via ACU (offline and remote) & Insight Manager (OS dependent)
- **Selective Storage Presentation:** allows multiple hosts to access a single MSA1000 storage system. Host access can be defined all the way down to a logical volume level.
- **Online RAID Level Migration:** allows for online post-configuration change to RAID level without destroying data or volume information.
- **Online Capacity Expansion:** lets you add storage to an operational MSA1000-reducing expensive server downtime.
- **Global Online Spare:** reduces the risk of data loss by facilitating automatic rebuilds after a drive failure.

##### MSA1000 Controller Management Features

##### Fault Tolerance

Several fault tolerant configurations which keep data available and servers running while drives are being replaced are supported including:

- RAID 6 with Advanced Data Guarding: Allocates the equivalent of two parity drives across multiple drives and allows simultaneous write operations.
- Distributed Data Guarding (RAID 5): Allocates parity data across multiple drives and allows simultaneous write operations.
- Drive Mirroring (RAID 1, (1+0 Striped Mirroring)): Allocates half of the drive array to data and the other half to mirrored data, providing two copies of every file.



### MSA1000 Components

#### Fault Recovery

Minimizes downtime, reconstructs data, and facilitates a quick recovery from drive failure:

- **Online Spares:** If a failure occurs, recovery begins with an online spare and data is reconstructed automatically. Multiple online spares can be assigned per array and used across multiple arrays. It is also possible to assign different online spares across different arrays.
- **Array Accelerator:** Onboard, battery-backed cache memory protects data in the event of a power failure. In the unlikely event of a controller failure, the battery-backed cache will save critical user data for up to three days.

#### MSA Fibre Channel I/O Module

Provides a single 2 Gb Fibre Channel connection per controller from the host side into the MSA1000. The MSA Fibre Channel I/O Module includes one 2 Gb, Short Wave, Small-Form-Factor-pluggable Transceiver (SFP). A second MSA Fibre Channel I/O Module can be installed for redundancy when a redundant controller is used.

The single I/O module can be used in a direct connect configuration (no switch or hub) in Windows, Linux, NetWare, SCO and HP-UX only.

#### MSA SAN Switch 2/8 (embedded)

The optional MSA SAN Switch 2/8 offers low price per port and full scalability, doing so while taking zero rack space, even in a redundant configuration. This second generation integrated switch option offers the customer more ports than our previous offering and is a full member of the HP SAN Switch family, assuring interoperability from the smallest to the largest SAN configuration. The HP StorageWorks MSA SAN Switch 2/8 can be used by the true entry-level customer looking for a very inexpensive switch based on cost per port. This same switch can be attractive to the larger customer who must have the interoperability with their other external B-Series SAN switch products from HP and especially appreciates the rack space saving characteristics.

(The MSA SAN Switch 2/8 replaced the obsolete MSA Fabric Switch 6 option.)

#### Key Features

- Eight 2 Gb ports: 1 to controller, 7 user accessible
- Product ships with 4 SFPs installed
- No E-port restriction, accepts all optional software
- Interoperates with external HP B-Series SAN Switch 2 Gb switches
- Configuration and management methodology common with SAN Switch product line, same methods as installed base of 40,000+ HP 1 and 2Gb SAN Switches

### MSA1000 Components

#### MSA Hub 2/3 (embedded)

The HP StorageWorks MSA Hub 2/3 is a low-cost interconnect designed for clustering or low cost, high speed attachment of two servers to the MSA1000. The MSA Hub 2/3 is a 3-port Fibre Channel Arbitrated Loop hub that is mounted on a blade that easily installs inside the MSA1000 storage unit, saving valuable rack space. Two of these hubs may be installed for redundancy within the MSA1000. The MSA Hub 2/3 is not cascadable. It is not certified for Alpha environments.

The hub presents the user with two SFP ports for simple direct attachment to two single or clustered servers without having to purchase an external interconnect device. It offers the most cost-effective solution for a user to enable a clustered server environment.

- High Performance: supports MSA1000 with a 2 Gb interconnect capable of up to 200 MB throughput
- Low Cost: supports the entry-level SAN array with the most cost effective option for 2-node clustering
- Compact: installs in the MSA1000, replacing the I/O module, saving valuable rack space
- Complete: comes with two SW SFPs - no need for further investment
- Not qualified with servers utilizing Tru64 UNIX or OpenVMS operating systems.

#### 2 Gb Small Form Factor pluggable (SFP) SW Transceiver Kit

2 Gb Small-Form-Factor-pluggable (SFP) SW Transceivers are industry standard connection devices, which hot plug into 2 Gb infrastructure components such as 2 Gb Fabric Switches. HP StorageWorks 2 Gb SFP SW Transceivers support distances up to 300 meters at 2 Gb and 500 meters at 1 Gb using multi-mode fiber optic cable.

#### Multi-Mode Fibre Channel Cables

Multi-Mode Fibre Channel cables provide a thin, flexible cabling solution that is immune to electromagnetic interference. HP offers cables to connect the MSA1000 to both 2 Gb and 1 Gb Fibre Channel infrastructures. LC to LC cables are used when connecting the MSA1000 to other 2 Gb Fibre Channel components because both connections will utilize small form factor transceivers. LC to SC cables are used when connecting the MSA1000 to 1 Gb Fibre Channel components. 1 Gb components use the larger GBIC style transceivers.

### Software Components

The MSA1000 utilizes a single, consistent set of utility software for storage and RAID management, setup, configuration and troubleshooting. This consistency reduces the cost of ownership by reducing the training and technical expertise necessary to install and maintain your HP storage solution.

#### Array Configuration Utility

(solution chosen as appropriate for operating system)

- Provides a graphical view of HP drive array configurations
- Easy to use Wizards for configuration
- ACU supports on-line configuration
- Web Based ACU supports On-Line, Remote Web Based and Off-line configuration
- Runs online on Microsoft Windows NT 4.0 and Microsoft Windows 2000 and 2003

#### Selective Storage Presentation (SSP)

- Built-in to MSA1000 Controller firmware and controlled via ACU
- Allows setting of access rights to the MSA1000 storage by hosts
- Access control can be set up to a logical volume level using the Array Controller Utility

#### Insight Manager

(solution chosen as appropriate for operating system)

- Powerful storage, server and server option management tool
- Monitor storage from a remote central location
- Browser based System Insight Manager provides full access from anywhere on the Intranet, eliminating the need for a dedicated Insight Manager management console

#### OS Support

- Microsoft Windows Server 2003 (32 & 64-bit)
- Microsoft Windows 2000 Server and Advanced Server (sp3)
- Microsoft Windows NT 4.0 Server and Enterprise Edition (sp6a)
- NetWare 5.1, 6 and 6.5
- Red Hat Linux Enterprise Advanced Server 2.1 and Enterprise Linux 3.0 (32 & 64-bit) & 4.0 (32-bit & 64-bit)
- SuSE Linux SLES8 and SLES9 (32 & 64-bit)
- SuSE Linux SLES 8 (32 & 64-bit)
- Please refer to Compatibility Guide at <http://www.hp.com/go/msa1000> for complete configuration support on the above operating systems.
- Tru64 UNIX or OpenVMS supported in homogeneous environments only (no hub support).
- HP-UX 11.11, and 11.23 homogeneous environments only. (limited single controller homogeneous configurations)
- SCO OpenServer 6.0.0, SCO UnixWare 7.1.3, UnixWare 7.1.4 (limited single controller homogeneous configurations) The MSA SAN Switch 2/8 and the MSA Hub 2/3 are supported.

#### HP-UX support

The MSA1000 for HP-UX supports single controller configurations only. HP-UX support is of a homogeneous nature. Command Line Interface (CLI) is used for configuration and Event Monitoring Service (EMS) for monitoring. Root/Boot/Dump/Swap/Install is also supported. PV Links is supported for multi (HBA) path / single controller (2 HBAs) configurations. HP-UX support is now enabled with the standard firmware that ships with the MSA1000.

- Command Line Interface (CLI) is used for configuration and Event Monitoring Service (EMS) for monitoring.
- Root/Boot/Dump/Swap/Install is also supported.
- PV Links is supported for multi (HBA) path / single controller (2 HBAs) configurations.
- Fabric, hub and direct Connect are supported
- HP-UX 11.11 & 11.23, PA-RISC and Itanium

### Software Components

#### SCO UnixWare and OpenServer

HP's MSA1000 SAN solution is available today to run on SCO UnixWare 7.1.3 and 7.1.4 and SCO OpenServer 6.0.0. The MSA1000 with a single controller may be connected to a ProLiant server with SCO UnixWare in one of the below described manners:

- Direct Attach
- Through an internal Hub
- Through an internal switch

The StorageWorks FCA2214 and the FCA2214DC are the approved HBAs.

---

#### Software Certifications

- Microsoft Cluster Server Certification
- HP Serviceguard for Linux (& HP-UX with special 2-MSA1000 configuration)
- Hewlett Packard Data Protector
- VERITAS Backup Exec and NetBackup
- Legato NetWorker for Windows
- Computer Associates BrightStor Enterprise Backup
- SteelEye LifeKeeper for Linux Certification

Please refer to compatibility matrix at <http://www.hp.com/go/msa1000> for complete configuration support.

### Optional Software

#### HP StorageWorks Secure Path

HP StorageWorks Secure Path is a family of high availability multi-pathing software products providing continuous data access from the HP RAID Array to host servers running the Windows Server 2003, Windows 2000, Windows NT, Linux and NetWare operating systems. Redundant hardware, advanced RAID technology and Secure Path's automated failover capability are used to enhance fault tolerance and availability. Secure Path effectively eliminates controllers, disk drives, interconnect hardware and host bus adapters as single points of failure in the storage subsystem. The attachment of non-Secure Path (single HBA) servers to an MSA1000 with dual controllers that has servers with Secure Path (dual HBA) attached is supported where the operating systems are Windows or NetWare. Users must realize that in event of a controller fail-over (failure of active controller) the single path servers will lose access to their data on the MSA1000.

**NEW** - Secure Path can now support up to an 8-node cluster in Windows Server 2003.

**NOTE:** If Secure Path for Linux is used on any node or cluster attached to an MSA1000, all nodes must also have Secure Path installed, regardless of operating systems.

**NOTE:** refer to <http://www.hp.com/go/securepath> for the latest Secure Path parameters.

#### Key Features

Maintains connections to storage  
Monitors I/O paths and alerts on significant events

#### Used in

Stand alone Configurations  
Cluster configurations  
SAN configurations

#### MSA1000 utilization of Industry Standard fail-over solutions

HP supports additional high availability multi-pathing capabilities within various operating systems and through third-party vendors, providing continuous data access from HP's RAID MSA1000 to host servers. Options are available for servers running the Windows and Linux, operating systems. More information and the explanation of restrictions are available at

<http://h18006.www1.hp.com/products/sanworks/multipathoptions/index.html>

- Microsoft Windows 2000 and 2003 (32 bit EE and 64 bit EE only) can utilize the HP MPIO Basic Failover v1.0 for MSA Arrays, a DSM available for free download at the above site. Unlike under Secure Path you are limited to a 4-node cluster.
- Linux industry standard failover for the MSA1000 is available at no charge within the FCA2214 HBA device driver from QLogic.

#### MSA1000 clustering

Clustering is rapidly gaining in popularity as users desire a high level of data availability. Many of the old cluster restrictions that were the product of both hardware and operating systems have been overcome. While there still remain configuration limits, the result is a new high degree of flexibility both in number of clusters, mixing clusters with single nodes, and the integration of dissimilar operating systems. For example you may mix three Microsoft (Windows Server 2003, Windows 2000, or Windows NT) clusters and other individual servers, even doing so in a heterogeneous server operating system environment. Windows Server 2003 allows a single cluster of up to eight nodes, now with Secure Path protection.

Single-path (single controller, non-Secure Path) NetWare clustering has been successfully tested up to a 12-node cluster. NetWare clusters employing Secure Path (dual controller, dual HBAs) are limited to six nodes. Multiple NetWare clusters (and single servers) may have concurrent access with no limitation inherent to the MSA1000. Likewise up to a 16-node Linux cluster (single controller, non-Secure Path) utilizing SteelEye LifeKeeper for Linux clustering software has been tested and is supported. Presently a Linux/Secure Path configuration is limited to a two-node cluster. Refer to <http://www.hp.com/go/securepath> for any restriction on Linux with Secure Path.

The MSA1000 has the ability to be configured with thirty-two LUNs. Best practices would dictate generally no more than sixteen servers accessing a single MSA1000. More commonly, users have had an average of five to eight nodes. This can be any combination of hosts or clusters with different operating systems while holding fast to the guidelines and limits described in the above paragraphs. Performance

### Optional Software

within these guidelines is heavily dependent on the actual number of end users and types of applications being employed.

For more information, click on the link: <http://www.hp.com/solutions/ha>.

#### ProLiant Cluster F200 for the Entry Level SAN (Microsoft)

- The ProLiant Cluster F200 for the Entry Level SAN is designed to assist in simplifying the configuration of cluster solutions that provide high levels of data and applications availability in the Microsoft Windows Operating System environment through clustering to provide no-single-point-of-failure. The ProLiant Cluster F200 for the Entry Level SAN supports a two-node cluster based on Microsoft Windows 2000 Advanced Server and two to eight-nodes cluster based on Microsoft Windows Server 2003 Enterprise Edition operating system, the StorageWorks Modular Smart Array 1000 (MSA1000) and MSA1500 cs, or Raid Array RA4100 and ProLiant Servers. This solution also supports StorageWorks Secure Path management software.

HP ProLiant Cluster HA/F200 for Entry Level SAN (Microsoft)

364026-B21

#### HP Serviceguard for Linux

HP Serviceguard is a high availability solution that leverages the strength of HP's experience in the HA business, bringing the best-in-class mission critical technologies to the Linux environment and ProLiant and Integrity servers. HP Serviceguard provides critical applications the high availability that enterprise customers require for 24x7 business operations. It is designed to protect applications from a wide variety of software and hardware failures, monitoring the health of each server (node) and quickly responding to failures including system processes, system memory, LAN media and adapters, and application processes. Serviceguard enables customers to cluster HP ProLiant and Integrity server families with shared storage from HP Modular Smart Array 500 to HP StorageWorks XP disk arrays in a 2-node SCSI or 2 to 16-node Fibre Channel configuration.

Please refer to the HP ProLiant High Availability web site under Linux clustering for ProLiant for the latest information on Serviceguard for Linux: <http://www.hp.com/servers/proliant/highavailability/serviceguard>

For general Serviceguard information (HP-UX and Linux), please refer to:

<http://www.hp.com/go/serviceguard>

HP Serviceguard for Linux ProLiant Cluster, A.11.16 (2 license version)

305199-B26

HP Serviceguard for Linux, A.11.16 (single license version)

307754-B26

HP Serviceguard for Linux ProLiant Cluster (per 2-node cluster) A.11.15

305199-B24

HP Serviceguard for Linux (per 32-bit server) A.11.15

307754-B24

#### HP ProLiant Clusters for NetWare

HP supports a broad range of solutions for NetWare Cluster services including configurations featuring the MSA1000 and optionally with HP StorageWorks Secure Path. These solutions provide high availability and maximum resource utilization for NetWare environments from small file sharing implementations to enterprise business computing. Single-path (single controller, non-Secure Path) NetWare clusters of up to 12-nodes have been successfully tested. Presently 2-node NetWare clusters with Secure Path have been tested and approved with larger NetWare cluster testing planned. Multiple NetWare clusters are allowed.

**NOTE:** Refer to <http://www.hp.com/go/securepath> for the latest Secure Path for NetWare parameters.

### Optional Software

#### HP ProLiant Parallel Database Clusters for Oracle on MSA1000

The HP Parallel Database Clusters (PDC) for Windows and Linux provide the industry's leading platform for deployment of Oracle 9i Real Application Clusters. The PDC is a multi-node (up to six in Microsoft environments and up to four with Linux) shared-storage clustering environment that enables industry standard Windows and Linux platforms to deliver performance previously limited to very large SMP (16 to 32 processor) environments. Every server node in the cluster has concurrent read-write access to the common shared database residing on the MSA1000 storage SAN. The multi-node architecture is inherently highly available, loss of any single node results in some degradation of performance but the database remains active and accessible. When optimally integrated with Oracle load balancing and transparent application reconnect features, clients are completely insulated from the loss of a server resource or an Oracle instance failure on a node. To complement the high availability of the server cluster in a Windows environment, the Parallel Database Cluster integrates HP StorageWorks Secure Path for fully redundant access to the database in the even of any failure in SAN connectivity. Secure Path for Linux will be available at a later date. Combined, the Oracle clustering technology and HP platform technology deliver cost effective and highly available enterprise solutions for database applications. For more specific information concerning configuration, interconnect options, and dual path software refer to the HP/Oracle site at <http://h18000.www1.hp.com/solutions/enterprise/highavailability/oracle/index.html>.

#### HP OpenView storage virtual replicator (Microsoft environments)

Storage Virtual Replicator combines a rich set of innovative capabilities that enhances and simplifies storage management for Windows Server 2003 and Windows 2000 environments. Through virtualization, online volume growth, snapshot and management features, the software complements the capabilities within the operating system. HP OpenView Storage Virtual Replicator enables simplification of storage configuration, management, scalability and enhanced availability with e-mail notification for event customization, enhanced pool deletion that enables deletion of pool or disk containing snapshots, enhanced policy descriptions for easier identification.

### Key Features

- Support for Windows 2000 and Windows Server 2003
- **Virtualization** - multiple storage arrays can be consolidated into a pool of disk space for individual or clustered systems to use. Multiple virtual disks, up to 2 terabyte in size, can be created from a pool for users and their applications. Existing storage units with production data can be imported into a pool. The data partition is preserved as a virtual disk and unused capacity is added to the pool.
- **Online volume growth** - Enables easy, non-disruptive growth for Windows 2000 or and Windows Server 2003 with zero downtime. Allows a system administrator to grow an existing volume on virtual disks and Windows 2000 basic disk. The system will remain online, and the data on the volume will remain intact.
- **Snapshots** - Instant, point-in-time snapshots for backup, online restore, testing or data mining. Enable instant creation of multipurpose virtual replicas of production data without the requirement of a physical copy. Snapshots identical to ordinary physical disks, with both read and write capability. Snapshots can remain online for restore operations, testing, and data mining. Full interoperability with the Windows Server 2003 Volume Shadow-copy Service (VSS).
- **E-mail notification** - customization of events for servers under your span of control.
- **Enhanced pool deletion** - delete a pool that contains snapshots and virtual disks or delete a virtual disk that contains snapshots with the DELTREE command.
- **Interoperability with OpenView Storage Mirroring**
- **Enhanced policy descriptions** - the policy key descriptions have been updated for easier identification.

Please refer to the Optional Software section of this document or visit <http://www.hp.com/go/msa1000> for additional details.

### Optional Software

#### HP OpenView Storage Mirroring

OpenView Storage Mirroring is designed to take small-medium enterprises beyond periodic backup to provide continuous data protection with minimal data loss and immediate recovery from any disaster or system outage. Utilizing patented STAR technology, OV Storage Mirroring captures byte-level changes as they happen and replicates those changes to one or more target servers at any location in the exact sequence sent by the source. Advanced features put you in control of bandwidth usage, queue data changes for replication during off-peak hours, enable e-mail, pager or wireless notification when changes occur and scales organically to meet the need of your environment. OV Storage Mirroring is the core component to the following solutions: disaster recovery, remote availability, centralized backup, serverless backup, data distribution, mining and server/storage migration.

- Supports Microsoft Windows 2000/NT/2003 servers
- One-to-one failover/fail back solution for MS-Exchange, MS-SQL and Oracle providing automatic failover and near instantaneous access to replicated data or use replicated data or rebuild your local server.
- Server Groups - enables the "grouping" of servers on the management console (GUI) allowing focus on only those servers under your span of control
- Continuous, asynchronous byte-level replication with intelligent data compression captures changes as they occur, ensures sequence of data mirrored on target, and provides user-configurable compression levels to ensure efficient usage of network resources.
- One-to-many and many-to-one host configurations allowing multiple production servers to use the same target server

For more information visit <http://h18006.www1.hp.com/products/storage/software/sm/index.html>



### Configure to Order Program Information

HP introduces the new Configure to Order program on a limited basis. It is not yet available in all areas. The MSA1000 and its options may or may not be factory installed in a rack with add-on controllers, switches, hubs, MSA30 enclosures and hard drives. The MSA1000 may be integrated with 64-bit Integrity and PA-RISC servers or ProLiant or as standalone storage.

Configure to Order	Products Approved for CTO	CTO SKUs
	Modular Smart Array 1000	201723-B22 #0D1
	HP MSA1000 Controller 256 cache ALL	218231-B22 #0D1
	256 MB Cache Upgrade	254786-B21 #0D1
	2 Gb FC Port Kit	218960-B21 #0D1
	MSA SAN Switch 2/8 ALL	288247-B21 #0D1
	MSA1000 Embedded 3-port Hub	286763-B21 #0D1
	MSA30 U320 Enclosure, single bus	302969-B21 #0D1
	300 GB Pluggable Ultra320 Universal Hard Drive, 10,000 rpm (1")	350964-B22 #0D1
	146 GB 10K U320 Pluggable Hard Drive WW	286716-B22 #0D1
	72 GB 10K U320 Pluggable Hard Drive WW	286714-B22 #0D1
	146.8 GB Pluggable Ultra320 Universal Hard Drive, 15,000 rpm (1")	347708-B22 #0D1
	72 GB 15K U320 Pluggable Hard Drive WW	286778-B22 #0D1
	36 GB 15K U320 Pluggable Hard Drive WW	286776-B22 #0D1
	2m LC-LC multimode FC cable	221692-B21 #0D1
	5m LC-LC multimode FC cable	221692-B22 #0D1
	15M LC-LC multimode FC cable	221692-B23 #0D1
	30M LC-LC multimode FC cable	221692-B26 #0D1
	50M LC-LC multimode FC cable	221692-B27 #0D1
	42U EVA cab 60Hz	338042-B21
	42U EVA cab 50Hz	338043-B21
	36U EVA cab 60Hz	338044-B21
	36U EVA cab 50Hz	338045-B21
	22U EVA cab 60Hz	338046-B21
	22U EVA cab 50Hz	338047-B21
	HP9000 Std Rack System E25	A4900A
	HP Rack System/E, 33U, quartz color	A4901A
	HP Rack System/E, 33U, graphite color	A4901D
	HP Rack System/E, 41U, quartz color	A4902A
	HP Rack System/E, 41U, graphite color	A4902D
	Rack 10642 42U Shock ALL	245161-B22
	Rack 10636 36U Shock ALL	245162-B22

### Service and Support, HP Care Pack, and Warranty Information

#### Warranty

- Three-year Limited Warranty for MSA1000, Fibre Channel Cables and SFP Transceivers
- 3 years parts exchange
- 1 year labor
- 1 year on-site
- Next business day response

Options for the MSA1000 carry their own warranty. Refer to HP's Limited Warranty Statement for further details. In countries where available, your HP Limited Warranty includes Customer Self Repair warranty services. Please refer to HP's Limited Warranty Statement for further details:

<http://h18006.www1.hp.com/products/storageworks/warranty.html>

Products included in various Kits carry their own individual warranties.

#### Warranty Upgrade Options

- Response – Upgrade on-site response from next business day to same day 4 hours
- Coverage – Extend hours of coverage from 9 hours x 5 days to 24 hours x 7 days
- Duration – Select duration of coverage for a period of 1, 3, or 5 years

#### Storage Service Packages

- HP Care Pack is defined as an upgrade to the product warranty attribute, available for a specific duration and hours of coverage.
- HP Care Pack is not available for less than the product's warranty duration.
- HP Care Pack is available for sale anytime during the warranty period for most products, but the commencement date will be the same as the Warranty Start Date (delivery date to end user customer). Proof of purchase may be required.
- HP Care Pack services are prepaid.

For additional information on Product Services and HP Care Pack, as well as orderable part numbers, please refer to the URL: <http://www.hp.com/hps/carepack/>.

If you have specific questions about availability or how to obtain services contact your local HP representative. Contact information for your local area can be found at:

<http://www.hp.com/services>.

#### Software Product Services **Software product services**

Product support provides the customer access to HP's experienced technical support resources, as well as access to HP's Information Services database for support on a variety of multi-vendor/multiplatform software products. Product support includes escalation and problem coordination with the appropriate engineering group. HP Services offer a variety of options to allow you to tailor your product service to meet the needs of your organization. Basic warranty on products can be uplifted from day one to ensure you receive the service you need when you need it.

### Service and Support, HP Care Pack, and Warranty Information

#### Warranty and support

HP warrants only that the software media will be free of physical defects for a period of ninety (90) days from delivery.

The following services are offered as HP Care Pack Services at the time of software product order:

- Software Technical Support 24 x 7 (1 and 3 years) is available 24 hours per day, Monday through Sunday, including holidays (includes phone-in software technical support 24 x 7 and software product and documentation updates).
- Installation Service (software installation) and Installation and Startup Service (software installation, configuration, startup testing and knowledge transfer).
- HP Care Pack services must be ordered with the product and are prepaid.
- For tailored support contracts based on personalized statement of work contact your local support center via <http://www.HP.com/support>.

#### Secure Path software services

- Software product services included with Secure Path: One year of Software Technical Support 24 x 7 HP Care Pack Services (includes phone-in software technical support 24 x 7 and software product and documentation updates).
- HP Care Pack services are available to upgrade the one year of Software Technical Support 24 x 7 included with the Secure Path product to 3 full years.
- Installation service (software installation)

For additional software product services information for North American HP Care Pack services, as well as orderable part numbers, please refer to the URLs listed below:

All storage services: <http://www.hp.com/hps/storage/>.

All HP Care Pack Services: [http://www.hp.com/hps/carepack/storage/cp\\_networked.html](http://www.hp.com/hps/carepack/storage/cp_networked.html).

Software Support HP Care Pack Services: [http://www.hp.com/hps/carepack/software/cp\\_storage.html](http://www.hp.com/hps/carepack/software/cp_storage.html).

Installation and Startup Services: [http://www.hp.com/hps/storage/ns\\_implementation.html](http://www.hp.com/hps/storage/ns_implementation.html).

If you have specific service questions contact your local HP representative. Contact information for your local area can be found at: <http://www.compaq.com/support>.

Maintenance releases, bug fixes and software patches are available at:

<http://www.compaq.com/support/sanworks>.

---

#### Array Installation and Startup Services

The HP Installation and startup for HP StorageWorks Disk Arrays service package provides installation and configuration of HP StorageWorks Disk Array products. Service highlights include:

Installation and Startup provides, installation, LUN Disk Design and configuration of the MSA 1000 which includes

- Service Planning
- Service Deployment
- Installation Verification Testing (IVT) required for this service
- Customer Orientation session

Service Deployment includes the deployment of the MSA disc array into a new or pre-existing SAN which may consist of switch, hub or SCSI bridge technology. Installation includes the customization of up to four host servers, eight host bus adapters (hba's) and up to four high availability software licenses.

**NOTE:** Refer to Step 7 in the Configuration Information section below for all Service, Warranty Plans, Installation and Startup Services available for the MSA1000

### Configuration Information

#### Step 1 – Order Required Items

HP StorageWorks Modular Smart Array 1000

201723-B22

**Includes:**

(1) MSA1000 Controller with 256 MB cache

(1) MSA Fibre Channel I/O Module with 2 Gb SFP SW Transceiver

Redundant Hot Pluggable Power Supply/blower assemblies

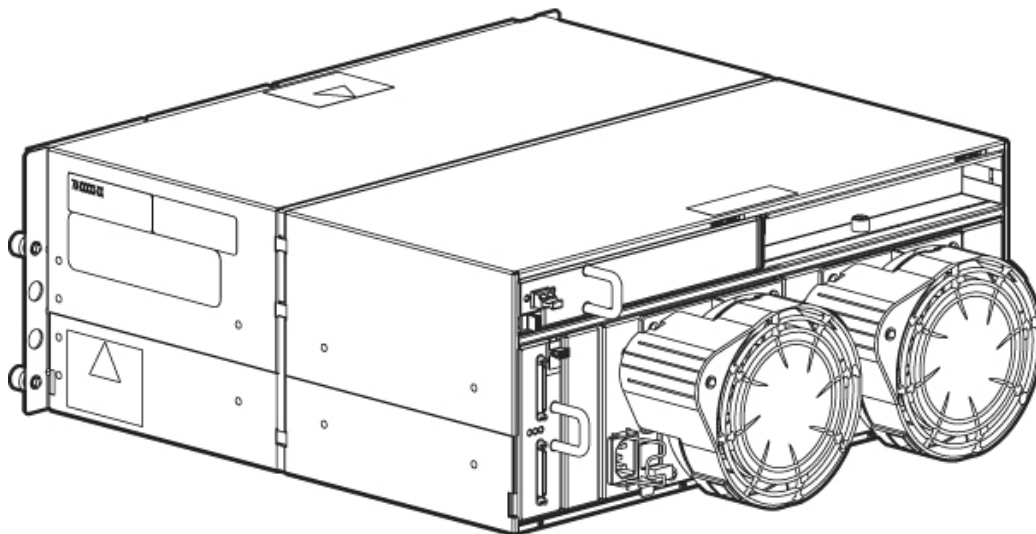
Universal Rack mounting Kit

MSA1000 Support CD & Documentation

Serial cable

(2) Power cables

**NOTE:** Fibre Channel cables are ordered separately.



#### Step 2 – Choose Optional Non-Redundant MSA1000 System Options

MSA SAN Switch 2/8 (integrated) (Includes four 2Gb SFPs)

288247-B21

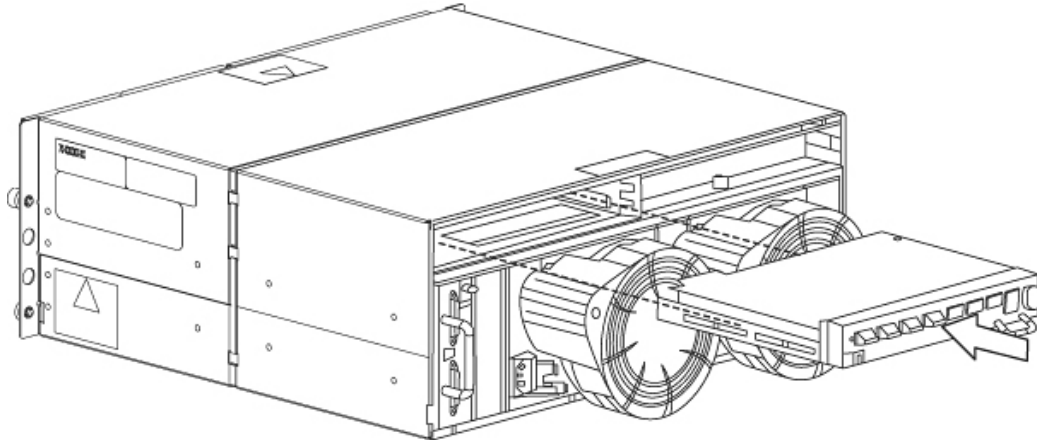
MSA Hub 2/3 (integrated) (Includes two 2 Gb SFP transceivers)

286763-B21

**NOTE:** The MSA SAN Switch 2/8 has a total of eight Fibre Channel ports. There are seven ports accessible by the user and the eighth is internal to the controller. Four SFPs are shipped installed in the Switch.

The MSA Hub 2/3 has two external Fibre Channel ports, both of which already have 2 Gb transceivers installed. (Not supported with Tru64 UNIX or OpenVMS).

## Configuration Information



### Step 3 – Choose Redundant MSA1000 System Options

MSA1000 Controller

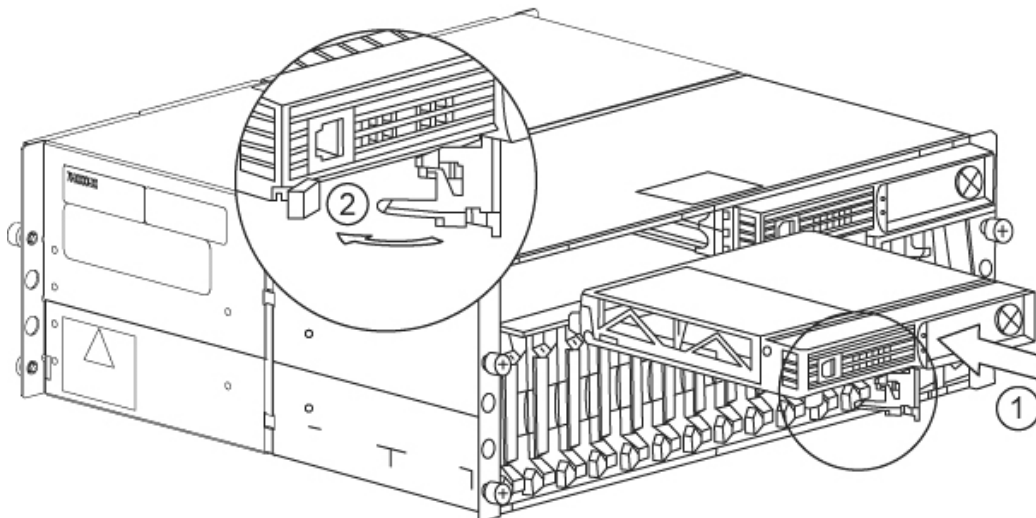
218231-B22

256 MB Cache Modules for Controller (one additional for each controller)

254786-B21

HP StorageWorks Secure Path (appropriate model for the operating system) or choose an industry standard failover solution where available

**NOTE:** Redundant configurations require two Host Adapters per server, an additional controller and an I/O module, an MSA SAN Switch 2/8 or an MSA Hub 2/3 (for Windows or NetWare), and Secure Path software for each server. An industry standard fail-over solution such as Microsoft's MPIO for Windows or the QLogic solution for Linux may be employed in place of Secure Path. For Microsoft ProLiant Clusters, Secure Path software can be substituted with the ProLiant Clusters HA/F200 kit. Mixing of the MSA Fibre Channel I/O Modular and the MSA SAN Switch 2/8 or the MSA Hub 2/3 is not supported. When configuring the MSA1000 for redundant controllers use either two MSA Fibre Channel I/O Modules, two MSA Hub 2/3s, or two MSA SAN Switch 2/8s.



Choose an interface matching your original

MSA Fibre Channel I/O Module (Includes one 2 Gb SFP transceiver)

218960-B21

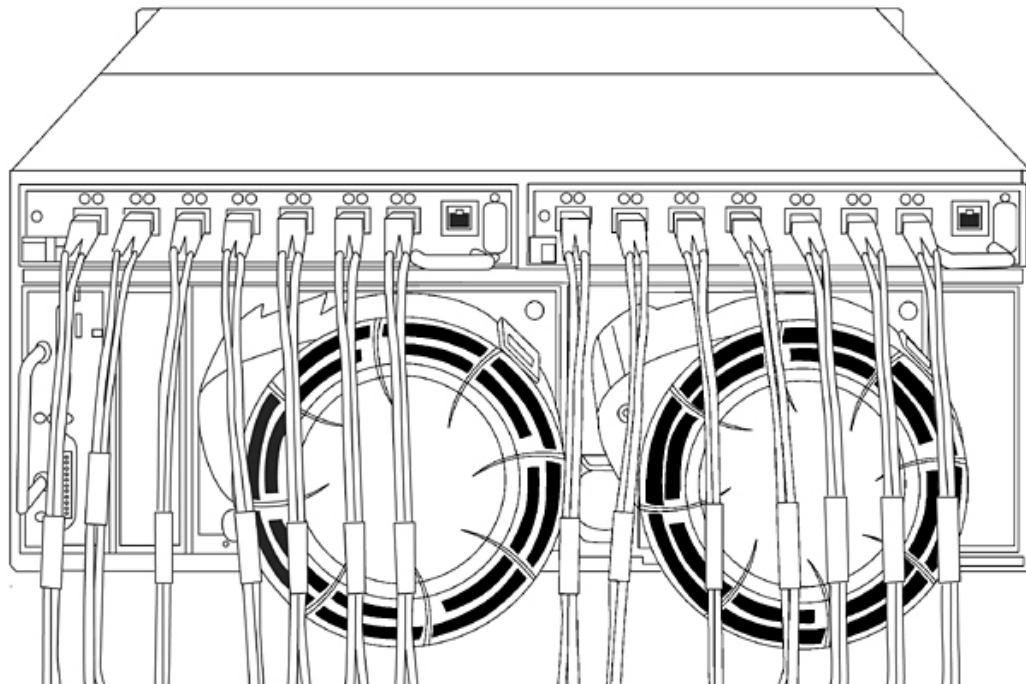
MSA SAN Switch 2/8 (integrated) (Includes four 2 Gb SFP transceivers)

288247-B21

MSA Hub 2/3 (integrated) (Includes two 2 Gb SFP transceivers)

286763-B21

## Configuration Information



### Step 4 – Choose Supported Options For 2 Gb or 1 Gb Infrastructure

2 Gb Fibre Channel Transceiver (SFP)	2 Gb SFP SW Transceiver Kit	A6515A
2 & 4Gb Fibre Channel Fabric "B-Series" family of switches	HP StorageWorks MSA SAN Switch 2/8 (embedded option for MSA1000 only) <b>NOTE: Includes four 2Gb SFP transceivers.</b> HP StorageWorks SAN Switch 2/8V HP StorageWorks SAN Switch 2/8V Power Pack HP StorageWorks SAN Switch 2/16V HP StorageWorks SAN Switch 2/16N HP StorageWorks SAN Switch 2/16N Power Pack HP StorageWorks SAN Director 2/128 HP StorageWorks SAN Director 2/128 Power Pack HP StorageWorks SAN Switch 4/32 Power Pack HP StorageWorks SAN Switch 4/32 with 32 active ports HP StorageWorks SAN Switch 4/32 with 16 active ports	288247-B21  AA979A AA980A AA978A AA990A AA977A AA981A AA982A A7394A A7393A A7537A

### Configuration Information

2 Gb Fibre Channel Fabric "M-Series" family of switches	HP StorageWorks Director 2/140	316093-B22
	<b>NOTE: 64-ports active. Ships with 64 SFPs</b>	
	HP StorageWorks Director 2/64	286809-B21
	<b>NOTE: 32 active ports. Ships with 32 SFPs</b>	
	HP StorageWorks Edge Switch 2/32	286810-B21
	<b>NOTE: 16 active ports. Ships with 16 SFPs</b>	
	8-FlexPort upgrade for Edge 2/32	302660-B21
	HP StorageWorks Edge Switch 2/24	316095-B21
2 Gb Fibre Channel Fabric "C-Series" family of switches	<b>NOTE: 8 ports active. Ships with 8 SFPs</b>	
	8-FlexPort upgrade for Edge 2/24	316096-B21
	HP StorageWorks Edge Switch 2/12	348406-B21
	<b>NOTE: 4 ports active. Ships with 4 SFPs</b>	
4-FlexPort upgrade for Edge 2/24	348407-B21	
2 Gb Fibre Channel Fabric "C-Series" family of switches	Cisco MDS 9506 Multilayer Director w/OSFPs	A7471A
	Cisco MDS 9509 Multilayer Director w/0 SFPs	A7462A
	Cisco MDS 9216 Multilayer Fabric Switch w/16 SFPs	A7473A
	Cisco MDS 9216A Multilayer Fabric Switch	A7558A
	Cisco MDS 9216i Multilayer Fabric Switch	A7557A
	Cisco MDS 9120 Fabric Switch w/0 SFPs	A7426A
Cisco MDS 9140 Fabric Switch w/0 SFPs	A7427A	
2 Gb Fibre Channel Integrated Hub	MSA Hub 2/3 (integrated option, comes complete with two SFPs) <b>NOTE: Not for use with ProLiant Blade servers, Tru64 UNIX or OpenVMS.</b>	286763-B21
2 Gb Fibre Channel HBAs	FCA2214 Host Adapter (Linux, Microsoft, NetWare 32-bit ) single channel	281541-B21
	FCA2214DC Host Adapter (Linux, Microsoft, NetWare 32-bit) dual channel	321835-B21
	2Gb PCI-e for 32-Bit Windows	A7560A
	Windows 32-bit single channel PCI-X (Windows Server 2003, W2K)	A7388A
	Windows 32-bit dual channel PCI-X (Windows Server 2003, W2K)	A7387A
	FCA2404 Host Adapter PCI-X (32-bit Windows NT)	305573-B21
	FCA2404DC dual channel Host Adapter PCI-X (32-bit Windows NT)	323264-B21
	Windows 64-bit, single channel, 64-Bit/133 MHz PCI-X to FC HBA	AB467A
	Windows 64-bit, dual channel, 64-Bit/133 MHz PCI-X to FC HBA	AB466A
	Host adapter Q2300 64-bit PCI-X for Linux, Integrity servers	A7538A
	Host adapter PCI-X Dual channel for HP-UX and Linux, Integrity servers	A6826A
	HP-UX HBA: PCI 2 GB Fibre Channel Adapter	A6795A
	HP-UX HBA: PCI-X 2 Gb Fibre Channel/1000Base-SX	A9782A
HP-UX HBA: PCI-X 2 Gb Fibre Channel/1000Base-T	A9784A	



### Configuration Information

Tru64 UNIX, OpenVMS ONLY	FCA2684 - HP StorageWorks 2 Gb, Single Channel, 133 MHz PCI-X-to-Fibre Channel Host Bus Adapter for Tru64 UNIX and future support for OpenVMS	DS-A5132-AADS-A5134-AA
	FCA2684DC - HP StorageWorks 2 Gb, Dual Channel, 133 MHz PCI-X-to-Fibre Channel Host Bus Adapter for Tru64 UNIX and future support of OpenVMS	DS-A5134-AA
	FCA2684 2 Gb Single channel PCI-X Host Adapter (OpenVMS/Tru64 UNIX)	302784-B21 DS-A5132-AA

Fibre Channel Cables for 2 Gb Infrastructure	Use 2 Gb Fibre Channel cables when connecting the MSA Fibre Channel I/O Module, MSA Hub 2/3 or the MSA SAN Switch 2/8 to an HBA	
	2 m LC-LC Multi-Mode Fibre Channel Cable	221692-B21
	5 m LC-LC Multi-Mode Fibre Channel Cable	221692-B22
	15 m LC-LC Multi-Mode Fibre Channel Cable	221692-B23
	30 m LC-LC Multi-Mode Fibre Channel Cable	221692-B26
	50 m LC-LC Multi-Mode Fibre Channel Cable	221692-B27

Fibre Channel Cables for 1 Gb Fabric Switches and Hub	Use 1 Gb Fibre Channel cables when connecting the MSA Fibre Channel I/O Module and any HBA(s) to 1 Gb fabric switches.	
	2 m LC-SC Multi-Mode Fibre Channel Cable	221691-B21
	5 m LC-SC Multi-Mode Fibre Channel Cable	221691-B22
	15 m LC-SC Multi-Mode Fibre Channel Cable	221691-B23
	30 m LC-SC Multi-Mode Fibre Channel Cable	221691-B26
	50 m LC-SC Multi-Mode Fibre Channel Cable	221691-B27

### Step 5 – Choose Hard Drives & StorageWorks Enclosures

Hard Drives	72.8 GB Pluggable Ultra320 Universal Hard Drive, 10,000 rpm (1")	286714-B22
	146.8 GB Pluggable Ultra320 Universal Hard Drive, 10,000 rpm (1")	286716-B22
	300 GB Pluggable Ultra320 Universal Hard Drive, 10,000 rpm (1")	350964-B22
	36.4 GB Pluggable Ultra320 Universal Hard Drive, 15,000 rpm (1")	286776-B22
	72.8 GB Pluggable Ultra320 Universal Hard Drive, 15,000 rpm (1")	286778-B22
	146.8 GB Pluggable Ultra320 Universal Hard Drive, 15,000 rpm (1")	347708-B22

**NOTE:** All Ultra320 Universal Hard Drives are backward compatible to U2 or U3 speeds.

**NOTE:** For complete compatibility information, refer to the HP SCSI Hard Drive Compatibility table located at <http://www.hp.com/go/msa1000>.



### Configuration Information

<b>StorageWorks Enclosures</b>	The MSA1000 cabinet holds fourteen 1" Universal Drives. Add one StorageWorks Enclosure to increase capacity up to 28 drives. Add two HP StorageWorks Enclosures to increase capacity up to the maximum of 42 drives.	
MSA30 single bus enclosure		302969-B21
	<b>NOTE:</b> Maximum of two can be connected to the MSA1000.	
MSA30 dual bus enclosure		302970-B21
	<b>NOTE:</b> Maximum of one can be connected to the MSA1000.	

### Step 6 – Choose Rack Options

10647 (47U) Rack Cabinet - Pallet	245160-B21
10647 (47U) Rack Cabinet - Crated	245160-B23
10642 (42U) Rack Cabinet - Pallet	245161-B21
10642 (42U) Rack Cabinet - Shock Pallet	245161-B22
	<b>NOTE:</b> It is mandatory to use a shock pallet in order to ship racks with equipment installed.
10642 (42U) Rack Cabinet - Crated	245161-B23
10636 (36U) Rack Cabinet - Pallet	245162-B21
10636 (36U) Rack Cabinet - Shock Pallet	245162-B22
	<b>NOTE:</b> It is mandatory to use a shock pallet in order to ship racks with equipment installed.
10636 (36U) Rack Cabinet - Crated	245162-B23
10622 (22U) Rack Cabinet - Pallet	245163-B21
10622 (22U) Rack Cabinet - Shock Pallet	245163-B22
	<b>NOTE:</b> It is mandatory to use a shock pallet in order to ship racks with equipment installed.
10622 (22U) Rack Cabinet - Crated	245163-B23
S10614 (14U) Rack Cabinet - Shock Pallet	292302-B22
	<b>NOTE:</b> It is mandatory to use a shock pallet in order to ship racks with equipment installed.
Rail Kit for mounting in a M-Series rack	313877-B21

## Configuration Information

### Step 7 – Choose HP Care Pack Services

Hardware Product	9x5, Next Business Day, On-Site Coverage, 3 years	103840-002
Services	9x5, 4-Hour Response, On-Site Coverage, 3 years	402165-002
	24x7, 4-Hour Response, On-Site Coverage, 3 years	402164-002
	9x5, Next Business Day, On-Site Coverage, 5 years	170183-002
	9x5, 4-Hour Response, On-Site Coverage, 5 years	170185-002
	24x7, 4-Hour Response, On-Site Coverage, 5 years	170187-002
	Hardware Installation	402162-002
	<b>Fixed Price Care Pack Part Numbers:</b>	
	1 Yr Same Day 24x7/Onsite	UC761A/E
	1 Yr Same Day 13x5/Onsite	UC772A/E
	1 Yr Same Day 6 hr CTR	UC773A/E
	3 Yr next Day/Onsite	U6355A/E
	3 Yr 13x5 Same Day/Onsite	U6356A/E
	3 Yr 24x7 Same Day/Onsite	U6357A/E
	3 Yr 6 hr CTR	U9934A/E
	4 Yr 13x5 Same Day/Onsite	U9398A/E
	4 Yr 24x7 Same Day/Onsite	U9399A/E
	5 Yr 13x5 Same Day/Onsite	U9400A/E
	5 Yr 24x7 Same Day/Onsite	U9401A/E
	Hardware Installation	U4368A/E
	Installation and Startup	UA868A/E
	<b>Flexible Care Pack Part Numbers:</b>	
	Support - MSA1000, 1 Yr ND Hardware	HA101A1-6FG
	Support - MSA1000, 3 Yr ND Hardware	HA101A3-6FG
	Support - MSA1000, 1 Yr 4h 13x5 Hardware	HA103A1-6FG
	Support - MSA1000, 3 Yr 4h 13x5 Hardware	HA103A3-6FG
	Support - MSA1000, 1 Yr 4h 24x7 Hardware	HA104A1-6FG
	Support - MSA1000, 3 Yr 4h 24x7 Hardware	HA104A3-6FG
	Support - MSA1000, 1 Yr 6 hr CTR	HA105A1-6FG
	Support - MSA1000, 3 Yr 6 hr CTR	HA105A3-6FG
	Support - MSA1000, 1 Yr Support Plus	HA109A1-6FG
	Support - MSA1000, 3 Yr Support Plus	HA109A3-6FG
	Support - MSA1000, 1 Yr Support Plus 24	HA110A1-6FG
	Support - MSA1000, 3 Yr Support Plus 24	HA110A3-6FG
	Support - MSA1000, 1 Yr Proactive 24	HA111A1-6FG
	Support - MSA1000, 3 Yr Proactive 24	HA111A3-6FG
	Support - MSA1000, 1 Yr Critical Service	HA112A1-6FG
	Support - MSA1000, 3 Yr Critical Service	HA112A3-6FG

## Configuration Information

### Configuration Examples

#### Two Node Redundant Cluster Solution (Intel based servers)

Quantity	Description	Part Number
1	HP StorageWorks Modular Smart Array 1000	201723-B22
1	Additional MSA1000 Controller	218231-B22
2	MSA Hub 2/3	286763-B21
4	Host Adapter (appropriate model for operating system)	
4	2 m LC-LC Multi-Mode Fibre Channel Cable	221692-B21
1	ProLiant Cluster HA/F200 for MSA1000 (includes Secure Path for two servers)	364026-B21
14	36.4 GB Pluggable Ultra320 Universal Hard Drive, 15K	286776-B21

#### 4 Host, 6TB, Redundant SAN Solution (Intel based servers)

Quantity	Description	Part Number
1	HP StorageWorks Modular Smart Array 1000	201723-B22
1	Additional MSA1000 Controller	218231-B22
2	256 MB Cache Modules for Controller (one additional for each controller)	254786-B21
2	MSA SAN Switch 2/8 (Includes four 2 Gb SFP transceivers)	288247-B21
8	Host Adapter (appropriate model for operating system)	
8	2 m LC-LC Multi-Mode Fibre Channel Cable	221692-B21
4	Secure Path Workgroup Edition (1 license per server), appropriate for operating system	
2	HP StorageWorks Enclosure MSA30	190209-001
42	146.8 GB Pluggable Ultra320 Universal Hard Drive, 10,000 rpm (1")	286716-B22

## Related Options

Storage Virtual Replicator v4.1.1 (Microsoft operating systems)	1 System LTU	T3593A
	3 System LTU	T3598A
	5 System LTU	T3597A
	10 System LTU	T3594A
	Base Media and Documentation Kit (license required)	T3591A
	1 System LTU upgrade:	T3599A
	3 System LTU upgrade:	T3604A
	5 System LTU upgrade:	T3603A
	10 System LTU upgrade:	T3600A
	1 System LTU upgrade Japan	T3615A
	Upgrade Media and documentation kits:	T3592A

Secure Path v3.0C for NetWare Workgroup Edition	Secure Path v3.0C for NetWare Workgroup Edition one license	222411-B22
	Secure Path v3.0C for NetWare Workgroup Edition five licenses	231324-B22
	Secure Path v3.0C for NetWare Workgroup Edition 10 licenses	231325-B22
	Secure Path v3.0C for NetWare Workgroup Edition 25 licenses	231326-B22
	Secure Path v3.0C for NetWare Workgroup Edition 50 licenses	231327-B22
<b>NOTE:</b> Refer to <a href="http://www.hp.com/go/securepath">http://www.hp.com/go/securepath</a> for the latest Secure Path parameters for NetWare.		

Secure Path v4.0C for Windows Workgroup Edition (including Windows Server 2003/32bit and 64-bit)	(Package includes separate programs for both the MSA1000 and the RA4000 and RA41000 solutions.)	
	Secure Path v4.0C for Windows Workgroup one license	213076-B26
	Secure Path v4.0C for Windows Workgroup Edition five licenses	231316-B26
	Secure Path v4.0C for Windows Workgroup Edition 10 licenses	231317-B26
	Secure Path v4.0C for Windows Workgroup Edition 25 licenses	231318-B26
	Secure Path v4.0C for Windows Workgroup Edition 50 licenses	231319-B26
	Secure Path v4.0C for Windows Workgroup Edition Upgrade License	261715-B24
	Secure Path v4.0C for Windows Workgroup Edition for ProLiant BL line 8 licenses	325634-B23
<b>NOTE:</b> Refer to <a href="http://www.hp.com/go/securepath">http://www.hp.com/go/securepath</a> for the latest Secure Path parameters for Windows.		

Secure Path v3.0C for Linux Workgroup Edition	Secure Path v3.0C for Linux Workgroup Edition one license	T3581A
	Secure Path v3.0C for Linux Workgroup Edition five licenses	T3582A
	Secure Path v3.0C for Linux Workgroup Edition 10 licenses	T3584A
	Secure Path v3.0C for Linux Workgroup Edition for ProLiant BL line 8 licenses	T3583A
	Secure Path v3.0C for Linux Workgroup Edition 25 licenses	T3585A
	Secure Path v3.0C for Linux Workgroup Edition 50 licenses	T3586A
<b>NOTE:</b> Refer to <a href="http://www.hp.com/go/securepath">http://www.hp.com/go/securepath</a> for the latest Secure Path parameters for Linux.		

### Related Options

**Qlogic Failover Driver for Linux** Provides a single multi-path solution for Linux

- Qlogic driver version 7.00.03 (or higher) for Red Hat Linux v3.0 U1
  - HP:FCA2214DC Bios:1.45 Driver:7.01.01 Driver:7.05.00
  - FW:Loaded from driver - Recommended Driver:7.05.00
- Supported on HP FCA2214 (281541-B21); FCA2214DC (321835-B21) and HBA for 64-bit Linux, Integrity Servers (A6826A) Host Bus Adapters
- Offers static load balancing

For more information visit <http://www.qlogic.com> or <http://h18006.www1.hp.com/products/sanworks/multipathoptions/index.html>

**Windows MPIO Failover** Provides a single multi-path solution for Windows

- Microsoft Windows 2000 and Windows Server 2003 (32bit and 64bit) operating systems
- DSM driver is required from HP for operation and configuration:  
<http://h18006.www1.hp.com/products/sanworks/multipathoptions/index.html>
- Co-existence of MPIO with Secure Path on same server is not supported
- Presently does not offer support for mixing with other path-failover methods

For more information visit <http://www.microsoft.com> or <http://h18006.www1.hp.com/products/sanworks/multipathoptions/index.html>

**Backup and Restore Software**

VERITAS NetBackup for Windows  
VERITAS Backup Exec for Windows  
HP Data Protector  
Computer Associates BrightStor Enterprise Backup  
[See Implementation Blueprint for configuration and installation instructions for all backup and restore software.](#)

**ProLiant Cluster for MSA1000**

ProLiant Cluster Starter kit (no Secure Path)	364023-B21
ProLiant Cluster F200 for the Entry Level SAN	364026-B21
ProLiant Cluster F200 for the Entry Level SAN (Japan)	364026-291

### Technical Specifications

Modular Smart Array 1000 (MSA1000)	LED Indicators on Front (3)	Power Fault detected in one or more sub-systems Fault in Enclosure Management
	LED Indicators for Drive Modules (3)	Drive Access (center) Online (left) Drive Failure (right)
	LED Indicators on Rear Panel (4)	Power Supply/Blower Assembly Fault (1) EMU (3) Power, A bus, B bus
	Interface	Ultra3 SCSI to Hard Drives 2 Gb Fibre Channel to Hosts
	Maximum Number of Drives	Fourteen, 1-inch HP Ultra2, Ultra3 or Ultra 320 Universal Hard Drives (msa1000 Cabinet); expandable to 42 using two additional HP StorageWorks 4200/4300 Enclosures
	Temperature Range	<b>Operating</b> 50° to 95° F (10° to 35° C), up to 8000' <b>Shipping</b> -22° to 122° F (-30° to 50° C) <b>NOTE:</b> Derated 1°C per 1,000 feet of elevation to 10,000 ft.
	Relative Humidity	<b>Operating</b> 10% to 90% <b>Non-operating</b> Up to 95%
	Input Power Requirements	<b>Rated Input Voltage</b> 100 to 240 VAC <b>Rated Input Frequency</b> 50 to 60 Hz <b>Rated Input Current</b> 6 A Max <b>Input Power (max)</b> 549 W* The supply will handle 90Vrms - 254 Vrms (100 - 240 V, +6%, -10%) Frequency is 47 - 63 Hz
	Heat Dissipation (max)	1876 Btu/hr* <b>NOTE:</b> Input Power and Heat Dissipation specifications are maximum values and apply to worst-case conditions at full rated power supply load. The power/heat dissipation for your installation will vary depending on the equipment configuration.
	MSA1000 Cabinet	4U Rack Form Factor <b>Dimensions (H x W x D)</b> 6.9 x 19 x 20.5 in (17.5 x 48.3 x 52.1 cm) <b>Weight</b> Net 55 to 85 lb (24.95 to 38.56 kg)
	Shipping Packaging	<b>Dimensions (L x W x D)</b> 28.5 x 14.81 x 33.13 in (72.4 x 37.6 x 84.1 cm) <b>Weight (Gross)</b> 75 to 105 lb (34.02 to 47.63 kg)
	User Interface	Controller display with Status Indicators (2) and push buttons (4) on front of controller
	Electrical Interface	LVD (Low Voltage Differential)
	Protocol Support	Wide Ultra3 SCSI
	SCSI Ports	4-channel: 2 internal, 2 external
	Drives Supported	Up to 42 drives
	Maximum Capacity	12TB (42 drives x 300GB)
	Logical Drives (LUN)	Up to 32 Logical Drives

### Technical Specifications

Maximum Logical Drive size 2.0TB

Modular SAN Array 1000 Controller (218231-B22)	User Interface	Controller Display with Status Indicators (2) and Push Buttons (4) Status Indicators on front of Controller (16)	
	Electrical Interface	LVD (Low Voltage Differential)	
	Protocol Support	Wide Ultra3 SCSI	
	SCSI Ports	4-channel: 2 external/2 Internal	
	Drives Supported	Up to 42 drives	
	Maximum Capacity	12TB (42 drives x 300GB)	
	Logical Drives	Up to 32 logical drives	
	RAID Support	RAID ADG (Advanced Data Guarding)	
		RAID 5 (Distributed Data Guarding)	
		RAID 1+0 (Striping & Mirroring)	
		RAID 0 (Striping)	
	Cache Memory	Up to 512 MB Read/Write (256 MB modules). If redundant controllers are used they must have equally configured cache ECC protection, battery-backed, and removable Standard as of November 19, 2002: 256 MB cache memory (single module)	
	Cache Batteries	Up to three days of redundant battery life, removable for easy replacement	
	Upgradeable Firmware	2 MB flashable ROM	
Disk Drive and Enclosure Protocol Support	HP Ultra 320, Ultra3, and Ultra2 SCSI 1-inch Universal drives		
Packaging	Dimensions (L x W x D)	17 x 12.5 x 7.75 in (43.2 x 31.75 x 19.7 cm)	
	Weight (Gross)	6 lb (2.72 kg)	

Modular SAN Array Fibre Channel I/O Module (218960-B21)	Connector Type	LC	
	Number of Fibre Channel Ports	One 2 Gb Fibre Channel Port using removable Small-Form-Factor-Pluggable Transceiver (SFP)	
	Bandwidth	200 MB/s	
	Operation Modes	Fibre Channel Class 2 and 3 connectionless service	
	Protocols Supported	Fibre Channel	
	Packaging	Dimensions (L x W x D)	17 x 12.5 x 7.75 in (43.2 x 31.75 x 19.7 cm)
		Weight (Gross)	6 lb (2.72 kg)

### Technical Specifications

<b>MSA SAN Switch 2/8</b> (288247-B21)	<b>Performance</b>	2.125 Gbit/sec line speed, full duplex ;1.063 Gbit/sec line speed, full duplex; Auto-sensing of 1 Gbit/sec and 2 Gbit/sec port speeds; optionally programmable to fixed port speed; Speed matching between 1 Gbit/sec and 2 Gbit/sec ports Aggregate bandwidth 64 Gbit/sec end to end Fabric latency <2.1 $\mu$ sec with no contention, cut-through routing at 2 Gbit/sec		
	<b>Interoperability</b>	SAN Switch 2/8-EL, SAN Switch 2/16-EL, SAN Switch 2/32, SAN Switch 2/64, SAN Switch 8, SAN Switch 16, SAN Switch 8-EL, SAN Switch 16-EL, Integrated/32, Integrated/64		
	<b>Switch bandwidth</b>	32 Gbit/sec end to end		
	<b>Maximum frame size</b>	2112-byte payload		
	<b>Port types</b>	8 ports universal (one internal, seven external), FL_Port, F_Port, and E_Port; self-discovery based on switch type (U_Port)		
	<b>Media types</b>	Small form-factor pluggable (SFP) four included standard; short wavelength (SWL) up to .31 mi (500m), long wavelength (LWL) up to 21 mi ( 35 km); distance depends on fiber-optic cable and port speed		
	<b>Classes of service</b>	Class 2, Class 3, Class F (inter-switch frames)		
	<b>Management access</b>	10/100 Ethernet port (RJ-45); Serial port (RS-232)		
	<b>Management</b>	Advanced Web Tools included; Fabric Manager (optional) Management access In-band via Management Server.		
	<b>Security</b>	Fabric security for configuration management, SAN access, and authentication/authorization		
	<b>Supported software</b>	Telnet, SNMP, WEBTOOLS, Zoning, Fabric Watch, Extended Fabrics, Remote Switch, Trunking, Advanced Performance Monitoring		
	<b>Fabric services</b>	Simple Name Server, Registered State Change Notification (RSN), Alias Server (multicast); and Zoning, WEB TOOLS. Optional QuickLoop, Fabric Watch, Extended Fabrics, and Remote Switch, Trunking, Advanced Performance Monitoring		
	<b>Diagnostics</b>	Diagnostics POST and embedded online/offline diagnostics		
	<b>Dimensions (h x w x d)</b>	SAN Switch 2/8: 7.75 x 12.5 x 17 in (19.68 x 31.75 x 43.18 cm)		
	<b>Shipping</b>	6 lb (2.72.kg)		
	<b>Humidity range</b>	5% to 85% non-condensing at 104° F (40° C)		
	<b>Environment</b>	<b>Temperature</b>	<b>Operating</b>	32° F to 104° F (0° C to 40° C)
			<b>Non-operating</b>	-31° F to 147° F (-25° C to 70° C)
		<b>Vibration</b>	<b>Operating</b>	0.5 G p-p, 5-500 Hz
			<b>Non-operating</b>	2.0 G p-p, 5-500 Hz
	<b>Connector Type</b>	LC		
	<b>Protocol</b>	SCSI, IP		
	<b>Data Transfer Method</b>	64-bit/66 MHz PCI		
	<b>Maximum Transfer Rate</b>	200 MB		
	<b>Packaging</b>	<b>Dimensions (L x W x D)</b>	11 x 8.5 x 3 in (27.9 x 21.6 x 7.6 cm)	
		<b>Weight (Gross)</b>	1 lb (0.45 kg)	



### Technical Specifications

<b>Multi-Mode Fibre Channel Cables Kits (218960-B21)</b>	<b>Cable Type</b>	LC-LC (2 Gb to 2 Gb connections) and LC-SC (2 Gb to 1 Gb connections) 50 Micron multi-mode Fiber
	<b>Available Cable Lengths</b>	6.5 ft, 16.4 ft, and 49.2 ft (2 m, 5 m, and 15 m)
	<b>Packaging</b>	<b>Dimensions (L x W x D)</b> 11.5 x 9 x 1.5 in (29.2 x 22.8 x 3.8 cm)
		<b>Weight (Gross)</b> 0.75 to 1 lb (0.34 to 0.45 kg)

© Copyright 2001-2005 Hewlett-Packard Development Company, L.P.

The information contained herein is subject to change without notice.

Microsoft and Windows NT are US registered trademarks of Microsoft Corporation. Intel is a US registered trademark of Intel Corporation. Unix is a registered trademark of The Open Group.

The only warranties for HP products and services are set forth in the express warranty statements accompanying such products and services. Nothing herein should be construed as constituting an additional warranty. HP shall not be liable for technical or editorial errors or omissions contained herein.