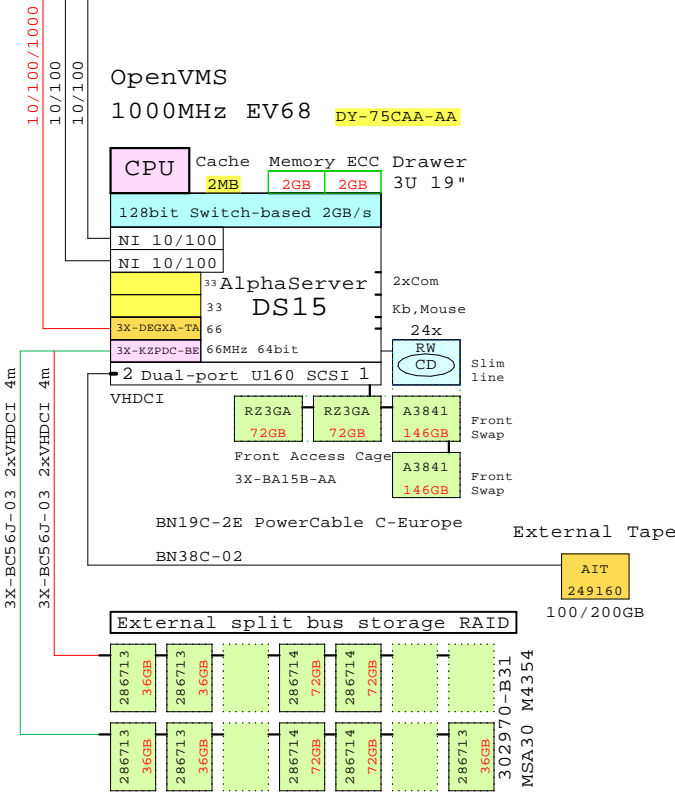


Internal Options:

- Memory kits
3X-MS315-EA
- 512MB
- 1GB
- 2GB
- 3X-MS315-FA
- 3X-MS315-GA
- 3X-BA15A-AA Standard Cage
- RZ3FD 3.5" DS-RZ3FD-WA 36GB 10k U320
- RZ3GA 3.5" DS-RZ3GA-WA 36GB 10k U320
- A3623 3R-A3623-AA AIT 100/200GB 5.25"
- 3X-BA15B-AA Front Access Cage
- A3849 1.0" 3R-A3849-AA 36G 15k U320
- A3851 1.0" 3R-A3851-AA 72G 15k U320
- A3841 1.0" 3R-A3841-AA 146G 10k U320
- A3621 3R-A3621-AA AIT 100/200GB Eats two slots
- 3X-PBXGG-AA ATI RADEON 7500
- 3X-DE602-BB 2x Ethernet
- 3X-DEGXA-TA UTP/RJ45 GigabitE.
- 3X-KZPCA-AA 1-port Ultra2 SCSI LVD
- 3X-KZPEA-DB 2-port Ultra3 SCSI LVD2
- 3X-KZPDC-BE RAID 2-ch U160 66MHz
- DS-KGPSA-EA Fibre Ch 2Gbit/s
- BN35S-4E pwr cbl in cabinet
- 3X-PBX01-DB Rack kit 10000 cabinet
- 3X-PBX01-DA Rack kit M-series



Recommended options:

- TFT 18" 3R-A4292-AA
- 3X-PBXGG-AA ATI RADEON
- 4x PCI 64bit Four at 33MHz or Two at 66MHz
- Mandatory options:**
- Memory kit 512MB 3X-MS315-EA
- Disk cage DS-RZ3GA-WA
- System disk 3R-A3841-AA
- Powercord 3X-BA15A-AA

Tru64 UNIX or OpenVMS

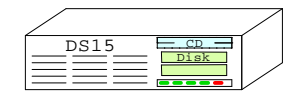
- 1000MHz EV68 DA-75CAA-AA
- 2MB Cache
- 2GB Memory
- ECC
- 3U 19" Drawer
- 128bit Switch-based 2GB/s
- NI 10/100
- NI 10/100
- 33 AlphaServer DS15
- 2x Com
- 512MB-4GB Max two kit
- 4x 3.3V
- 33
- 3 3.3V
- 66
- 1 3.3V
- 66MHz 64bit
- 2 Dual-port U160 SCSI 1
- VHDCI
- Space for one cage
- 48x RW CD Half height
- 24x RW CD Slim line
- 3.5" / 5.25" Disk Tape
- 3.5" 3.5" 1.0" Front Swap
- 3.5" 3.5" 1.0" Front Swap
- Universal disk, 2x1"
- Minimum OS support:
-Tru64UNIX V5.1A NHD7
-OpenVMS V7.3-1

Bill of material for the OpenVMS system above

Part Number	Qty	Description
1	1	AS DS15 68/1000 0GB OVMS
1.1	1	3X-BA15B-AA DS15 Front Access Cage 4xDisks CD
1.1.1	2	3R-A3841-AA 146GB 10000r U320 SCSI disk 1"
1.1.2	2	DS-RZ3GA-WA 72.8GB 10kRPM Ultra3 SCSI Disk
1.2	1	3X-DEGXA-TA GigabitEthernet single-p 66MHz 3.3V
1.3	1	3X-KZPCA-AA U160 2-Ch RAID 128MB PCI 66MHz 3.3v
1.4	2	3X-MS315-GA DS15 2GB DIMM MEM
2	1	302970-B31 MSA30 M4354R dual buss, 7+7, 1.0"
2.1	5	286713-B22 36GB 10000r U320 disk 1"
2.2	4	286714-B22 72.8GB 10000r U320 disk 1"
3	1	249160-B31 AIT 100/200GB LVD TableTop Int. black
4	2	3X-BC56J-03 Ultra3 160 Cable VHDCI-VHDCI 12ft
5	1	BN19C-2E PowerCable 240V, C-Europe
6	1	BN38C-02 Ultra Cbl VHDCI - 68HD

Order numbers for DS15 AlphaServers and AlphaStations

Part Number	Qty	Description
1	1	DA-75CAA-AA AS DS15 68/1000 0GB UNIX
2	1	DA-75CAA-AW ASW DS15 68/1000 0GB UNIX
3	1	DY-75CAA-AA AS DS15 68/1000 0GB OVMS
4	1	DY-75CAA-AW ASW DS15 68/1000 0GB OVMS



AlphaServer DS15

- Options needed:
- one mouse
 - one keyboard
 - one powercord

- 3R-A4565-AA Mouse Carbon
- 3R-A4362-AA U.S/Engl UNIX kb
- 3X-LK463-A2 OVMS
- BN19C-2E PowerCable C-Europe
- 3X-BC34A-06 Kb or Mouse ext.
- BN39C-02 Video Ext.cbl
- 3X-BA73P-BB DS15 Floor stand

If this diagram has influenced on your purchase decision, please let us know.
Matti.Patari@Kolumbus.fi (the painter)

Software Processor Code: **E**
Cluster Software Code: **C**

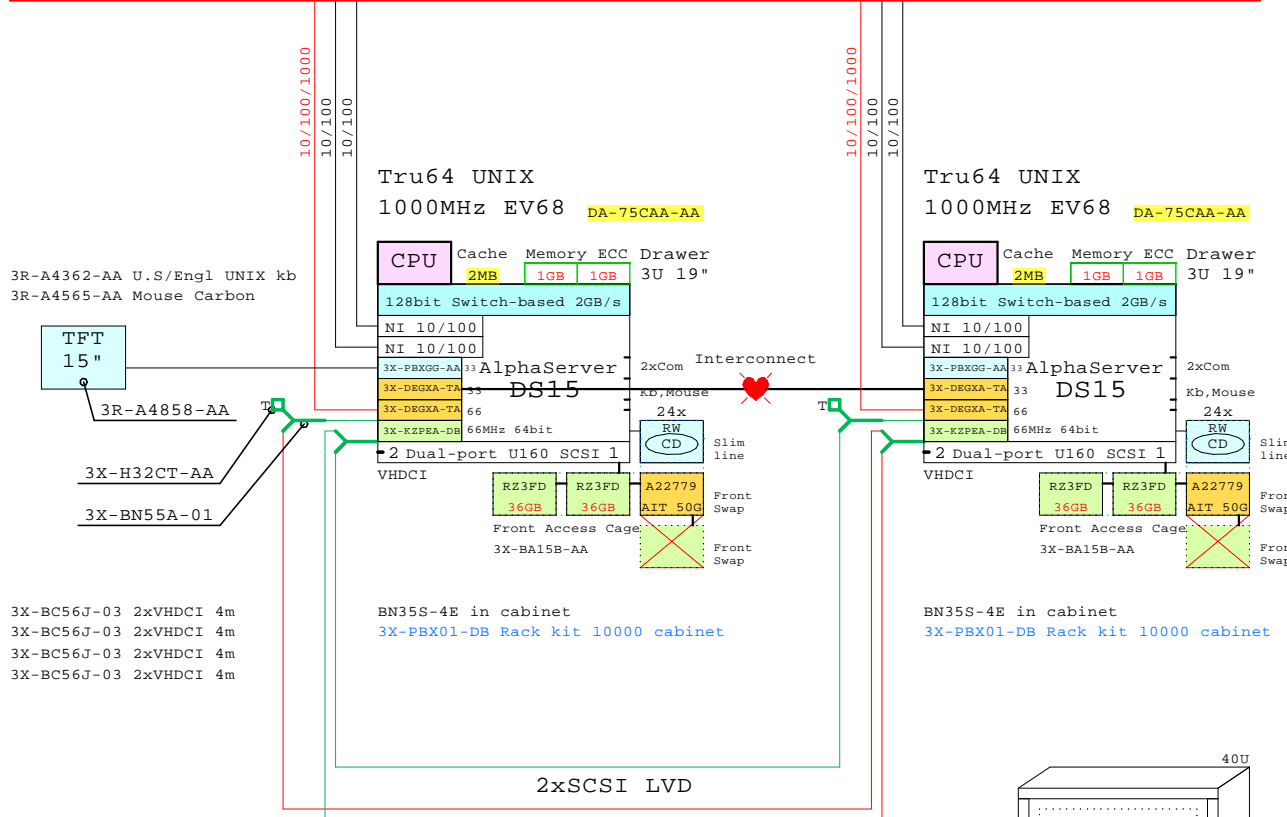
GOLDEN EGGS Visuals Helsinki	31-Jan-2005	GEADS15a
	Matti.Patari@Kolumbus.fi	

DS15

HP AlphaServer DS15 1000MHz EV68
GOLDEN EGGS Visuals, Helsinki

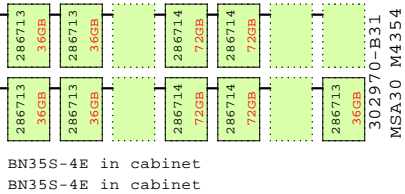
DS15 SCSI LVD Cluster Tru64 UNIX

Ethernet
GigabitEthernet



- 3R-A4362-AA U.S/Engl UNIX kb
- 3R-A4565-AA Mouse Carbon
- 3R-A4858-AA
- 3X-H32CT-AA
- 3X-BN55A-01
- 3X-BC56J-03 2xVHDCI 4m
- 3X-BC56J-03 2xVHDCI 4m
- 3X-BC56J-03 2xVHDCI 4m
- 3X-BC56J-03 2xVHDCI 4m

External split-buss storage



Bill of material for this SCSI Cluster

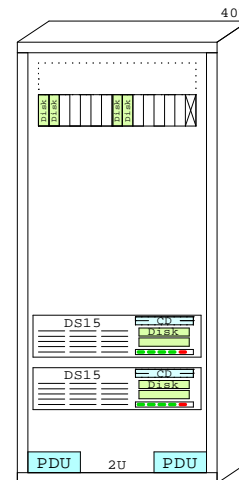
	Part Number	Qty	Description
	DA-75CAA-AA	1	AS DS15 68/1000 OGB UNIX
1	3X-BA15B-AA	1	DS15 Front Access Cage 4xDisks CD
1.1	3R-A2779-AA	1	50/100GB Hot plug AIT LVD tape drive
1.1.1	DS-RZ3FD-WA	2	36.4GB 10kRPM Ultra3 SCSI Disk
1.2	3X-DEGXA-TA	2	GigabitEthernet single-p 66MHz 3.3V
1.3	3X-KZPEA-DB	1	PCI 2-chan SCSI Ultra3 LVD
1.4	3X-MS315-FA	2	DS15 1GB DIMM MEM
1.5	3X-PBXGG-AA	1	ATI RADEON 7500 64MB 2D/3D graphics acce
2	DA-75CAA-AA	1	AS DS15 68/1000 OGB UNIX
2.1	3X-BA15B-AA	1	DS15 Front Access Cage 4xDisks CD
2.1.1	3R-A2779-AA	1	50/100GB Hot plug AIT LVD tape drive
2.1.2	DS-RZ3FD-WA	2	36.4GB 10kRPM Ultra3 SCSI Disk
2.2	3X-DEGXA-TA	2	GigabitEthernet single-p 66MHz 3.3V
2.3	3X-KZPEA-DB	1	PCI 2-chan SCSI Ultra3 LVD
2.4	3X-MS315-FA	2	DS15 1GB DIMM MEM
2.5	3X-PBXGG-AA	1	ATI RADEON 7500 64MB 2D/3D graphics acce
3	302970-B31	1	MSA30 M4354R dual buss, 7+7, 1.0"
3.1	286713-B22	5	36GB 10000r U320 disk 1"
3.2	286714-B22	4	72.8GB 10000r U320 disk 1"
4	YS-ASCAA-AA	1	System Factory Integration
5	3R-A4858-AA	1	L1530 15" TFT panel monitor EU
6	3X-H7606-EB	2	PDU 240V for 10000 cabinet
7	3R-A3894-AA	1	41U 10000-Series Graphite Cab,no PDUs
8	3X-PBX01-DB	2	Rackm.kit, DS15,1000MHz for Cab 10000
9	3R-A3895-AA	1	Side panel kit for 10000 cabinet
10	2T-H9C30-MK	1	Stabilazer kit for 10000 cabinets
11	2T-H9C30-MA	1	Ballast Kit for 10000 cabinets
12	3R-A4362-AA	1	U.S/English keyboard Tru64 UNIX
13	3R-A4565-AA	1	3-button mouse,Carbon night dark
14	3X-BC56J-03	4	Ultra3 160 Cable VHDCI-VHDCI 12ft
15	BN35S-4E	4	PowerCord C13 to C14, Non US
16	3X-BN55A-01	4	Cable assy "Y" U160SCSI VHDCI
17	3X-H32CT-AA	2	Terminator ext U160 SCSI

Cabinet 10000 accessories:

- 3R-A3894-AA 10000 Cabinet 41U noPDU
- 3X-H7606-EB PDU 240V for 10000 cabinet
- 3X-H7606-EB PDU 240V for 10000 cabinet
- 3R-A3895-AA Side panels for 10000
- 2T-H9C30-MK Stabilazer kit 10000
- 2T-H9C30-MA Ballast kit 10000
- YS-ASCAA-AA Factory Integration

If this diagram has influenced on your purchase decision, please let us know.
Matti.Patari@Kolumbus.fi (the painter)

If you need a customized PDF diagram from this template, please let me know. Send you change of request, the wish list to: Matti.Patari@Kolumbus.fi



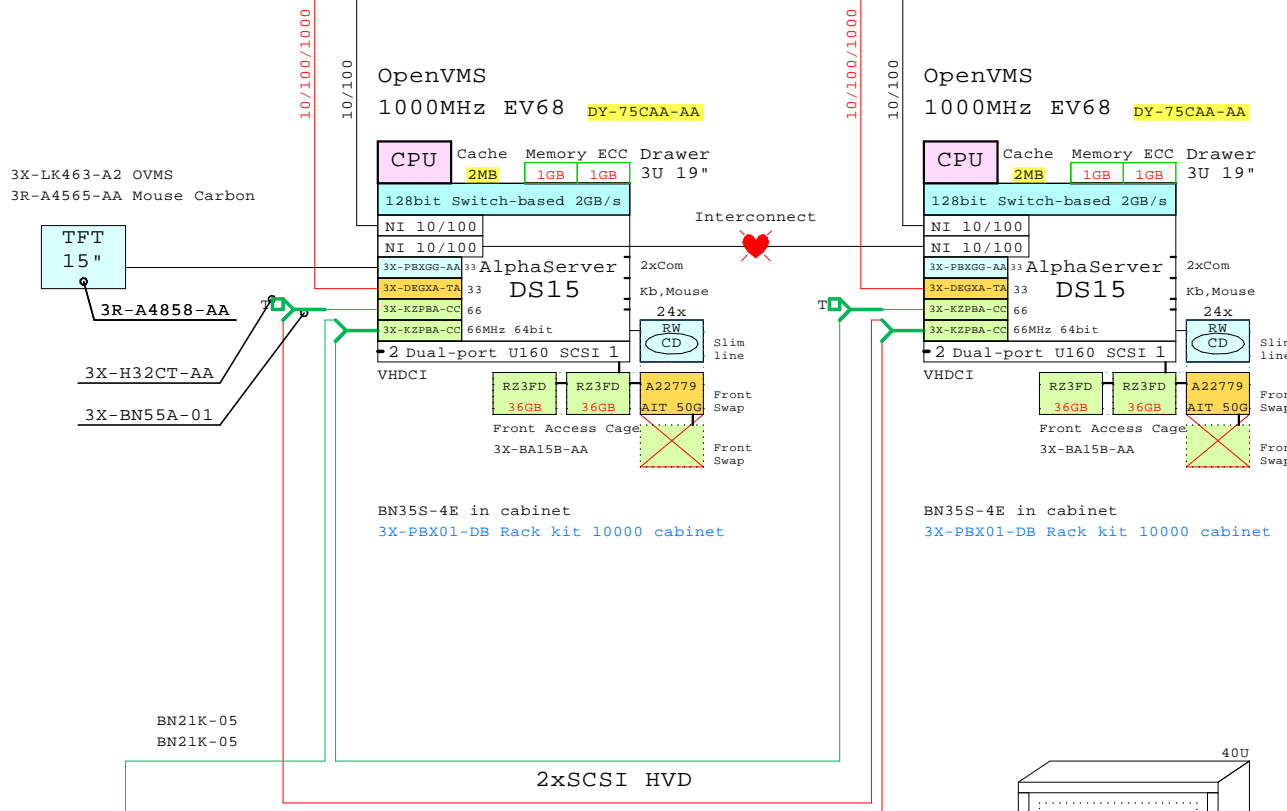
GOLDEN EGGS Visuals Helsinki	31-Jan-2005	GTAUDS15a
	Matti.Patari@Kolumbus.fi	

HP AlphaServer DS15 Cluster, SCSI
GOLDEN EGGS Visuals, Helsinki

DS15 SCSI HVD Cluster OpenVMS

Ethernet

GigabitEthernet



3X-LK463-A2 OVMS
3R-A4565-AA Mouse Carbon

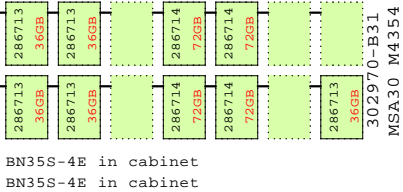
TFT 15"
3R-A4858-AA
3X-H32CT-AA
3X-BN55A-01

BN21K-05
BN21K-05

BN21K-05
BN21K-05

3X-DWZCV-BA
HVD to LVD
BN38C-05
3X-DWZCV-BA
HVD to LVD
BN38C-05
3X-DWZCV-CA
2x HVD-LVD

External split-buss storage



BN35S-4E in cabinet
BN35S-4E in cabinet

Bill of material for this SCSI Cluster

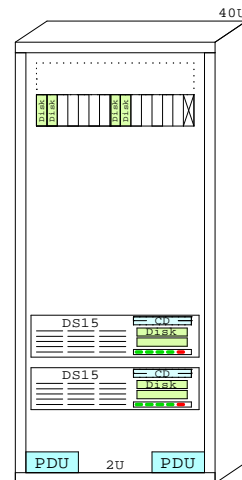
Part Number	Qty	Description
1	DY-75CAA-AA	1 AS DS15 68/1000 0GB OVMS
1.1	3X-BA15B-AA	1 DS15 Front Access Cage 4xDisks CD
1.1.1	3R-A2779-AA	1 50/100GB Hot plug AIT LVD tape drive
1.1.2	DS-RZ3FD-WA	2 36.4GB 10KRPM Ultra3 SCSI Disk
1.2	3X-DEGXA-TA	1 GigabitEthernet single-p 66MHz 3.3V
1.3	3X-KZPBA-CC	2 PCI to UltraSCSI Adapter UWdif
1.4	3X-MS315-FA	2 DS15 1GB DIMM MEM
1.5	3X-PBXGG-AA	1 ATI RADEON 7500 64MB 2D/3D graphics acce
2	DY-75CAA-AA	1 AS DS15 68/1000 0GB OVMS
2.1	3X-BA15B-AA	1 DS15 Front Access Cage 4xDisks CD
2.1.1	3R-A2779-AA	1 50/100GB Hot plug AIT LVD tape drive
2.1.2	DS-RZ3FD-WA	2 36.4GB 10KRPM Ultra3 SCSI Disk
2.2	3X-DEGXA-TA	1 GigabitEthernet single-p 66MHz 3.3V
2.3	3X-KZPBA-CC	2 PCI to UltraSCSI Adapter UWdif
2.4	3X-MS315-FA	2 DS15 1GB DIMM MEM
2.5	3X-PBXGG-AA	1 ATI RADEON 7500 64MB 2D/3D graphics acce
3	302970-B31	1 MSA30 M4354R dual buss, 7+7, 1.0"
3.1	286713-B22	5 36GB 10000r U320 disk 1"
3.2	286714-B22	4 72.8GB 10000r U320 disk 1"
4	YS-ASCAA-AA	1 System Factory Integration
5	3R-A4858-AA	1 L1530 15" TFT panel monitor EU
6	3X-H7606-EB	2 PDU 240V for 10000 cabinet
7	3R-A3894-AA	1 41U 10000-Series Graphite Cab,no PDUs
8	3X-DWZCV-BA	2 Adapter SCSI HVD to LVD
9	3X-PBX01-DB	2 Rackm.kit, DS15,1000MHz for Cab 10000
10	3R-A3895-AA	1 Side panel kit for 10000 cabinet
11	2T-H9C30-MK	1 Stabilazer Kit for 10000 cabinets
12	2T-H9C30-MA	1 Ballast Kit for 10000 cabinets
13	3R-A4565-AA	1 3-button mouse,Carbon night dark
14	BN35S-4E	4 PowerCord C13 to C14, Non US
15	3X-LK463-A2	1 U.S/English keyboard OpenVMS
16	BN21K-05	4 68HD SCSI cable 5m
17	BN38C-05	2 Ultra Cbl VHDCI - 68HD
18	BN21W-0B	4 Y SCSI-2 Cable 68 pins/6".15m
19	H879-AA	2 SCSI-3 Term - 68 pin Male

Cabinet 10000 accessories:

- 3R-A3894-AA 10000 Cabinet 41U noPDU
- 3X-H7606-EB PDU 240V for 10000 cabinet
- 3X-H7606-EB PDU 240V for 10000 cabinet
- 3R-A3895-AA Side panels for 10000
- 2T-H9C30-MK Stabilazer kit 10000
- 2T-H9C30-MA Ballast kit 10000
- YS-ASCAA-AA Factory Integration

If this diagram has influenced on your purchase decision, please let us know.
Matti.Patari@Kolumbus.fi (the painter)

If you need a customized PDF diagram from this template, please let me know.
Send you change of request, the wish list to: Matti.Patari@Kolumbus.fi



GOLDEN EGGS Visuals Helsinki	31-Jan-2005	GTAVDS15a
	Matti.Patari@Kolumbus.fi	